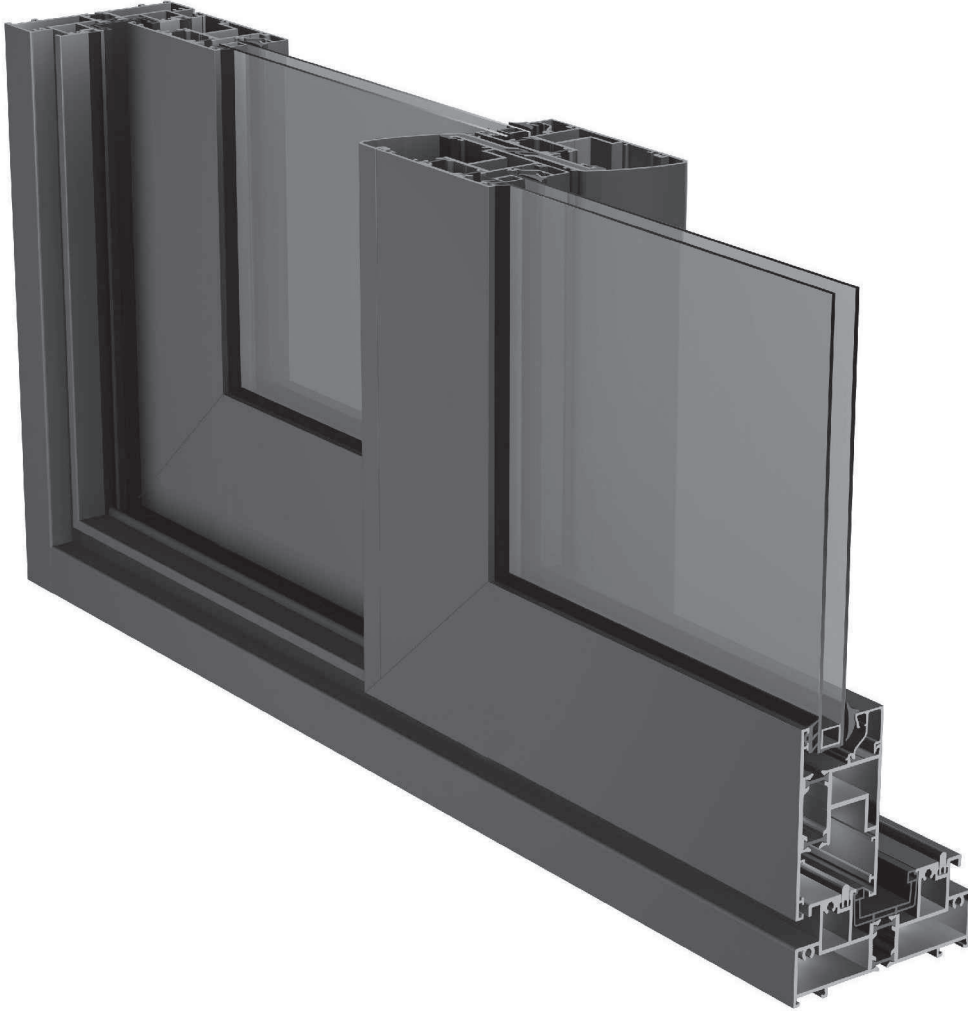


MİMARİ KATALOG
ARCHITECTURAL CATALOGUE

Alüminyum Kapı Pencere ve Giydirme Cephe Sistemleri
Aluminium Window Doors and Facade Systems

RESCARA



RST116

11

12

13

14

15

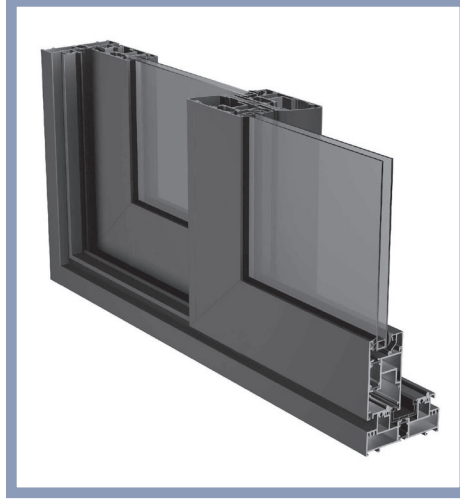
16

17

18

19

20



TEKNİK ÖZELLİKLER / TECHNICAL PROPERTIES

KASA DERİNLİĞİ / FRAME DEPTH	min 116,4 mm - max 180,8
KANAT DERİNLİĞİ / VENT DEPTH	52,1 mm
PROFİL ET KALINLIĞI / PROFILE WALL THICKNESS	1,6 / 1,8 / 2 mm
MAKS. CAM KALINLIĞI / MAX. GLASS THICKNESS	33 mm
ISI BARIYERİ / THERMAL INSULATION BARS	14,8 mm

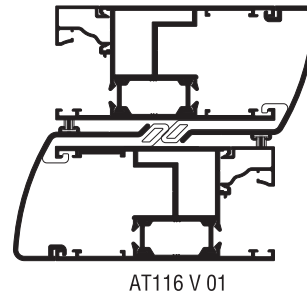
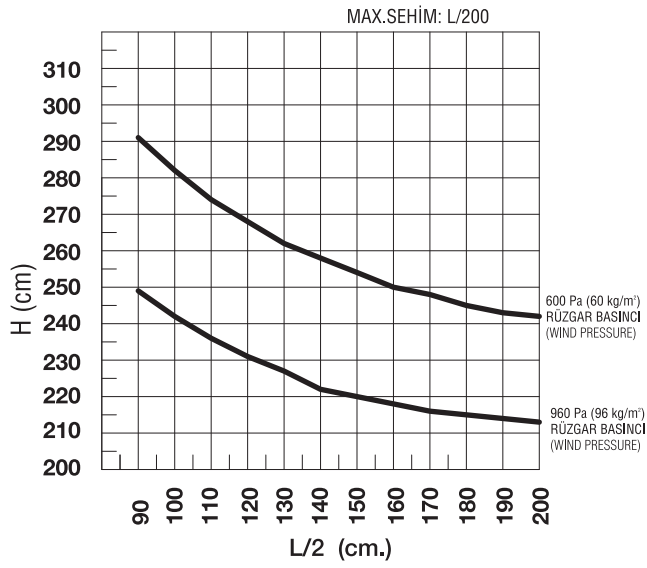
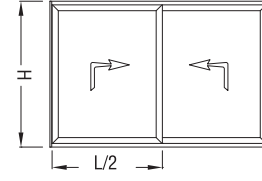
PERFORMANS DEĞERLERİ / PERFORMANCE VALUES

HAVA GEÇİRGENLİĞİ / AIR PERMEABILITY	EN 12207	CLASS 4 (600 pa)
SU SIZDIRMAZLIĞI / WATERTIGHTNESS	EN 12208	E1200 (1200 pa)
RÜZGAR YÜKÜNE DAYANIM / RESISTANCE TO WIND LOAD	EN 12210	C3 / B3 (1200 pa)
ISI YALITIM DEĞERİ (UF) / THERMAL INSULATION VALUE (UF)	EN 10077-2	4,001 W / m ² k
AKUSTİK PERFORMANS DEĞERİ / ACOUSTIC PERFORMANCE VALUE	EN 12758	30 (-1; -5) db

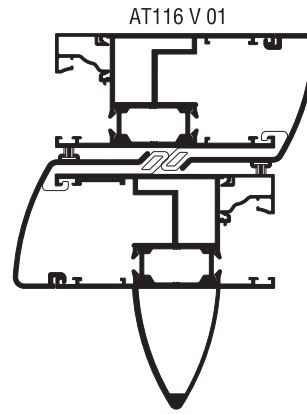
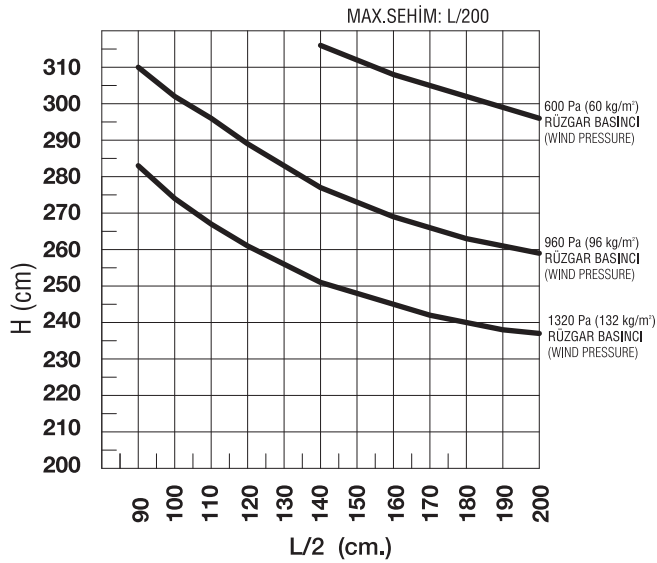
UYGULAMA SEÇENEKLERİ / APPLICATION OPTIONS

	PENCERE WINDOW	KAPI DOOR
KALDIR SÜR / LIFT & SLIDE	•	•
NORMAL SÜRME / SLIDING	•	•
45° KANAT BİRLEŞİMİ / VENT COMBINATION OF 45°	•	•
CAM ÇİTALİ KANAT / VENT WITH COMBINATION BEAD	•	•
TEK RAYLI KASA / MONO RAILED FRAME	•	•
3 RAYLI KASA / THREE RAILED FRAME	•	•
SABİT KASA / FIXED FRAME	•	•

RÜZGAR YÜKÜNE GÖRE KULLANIM LİMİTLERİ GRAFIĞI USAGE DIAGRAM FOR THE WIND LOAD



AT116V01 Jx: 23,765 cm⁴
AT116V01 Jx: 23,765 cm⁴
TOPLAM Jx: 47,530 cm⁴



AT116V01 Jx: 23,765 cm⁴
AT116V05 Jx: 72,920 cm⁴
TOPLAM Jx: 96,685 cm⁴

11

12

13

14

15

16

17

18

19

20



MİMARİ KATALOG ARCHITECTURAL CATALOGUE

Alüminyum Kapı Pencere ve Giydirme Cephe Sistemleri
Aluminium Window Doors and Facade Systems



Rescara Sistem Detayları
Rescara System Details

RST116

PROFİLLER

PROFILES

11

12

13

14

15

16

17

18

19

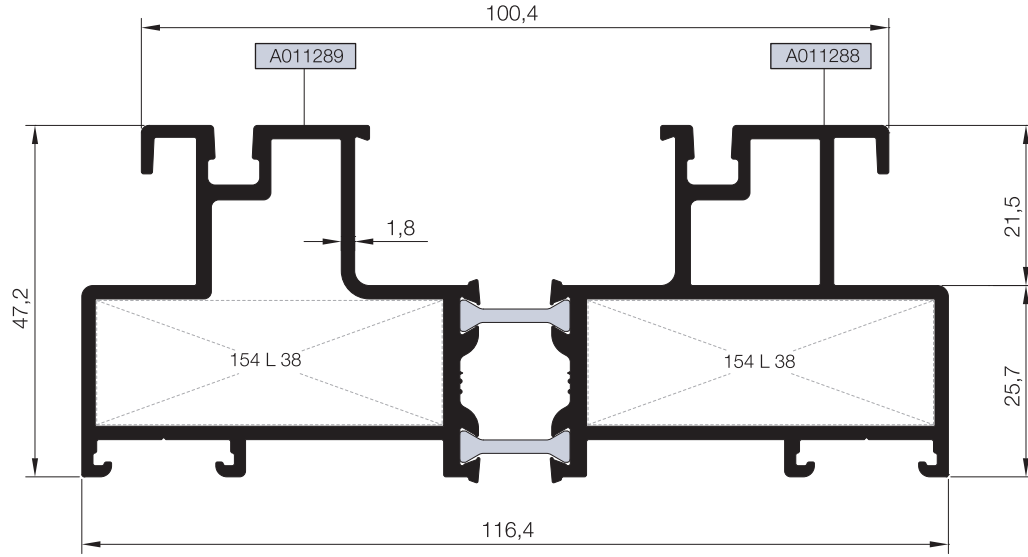
20

ÇİFT RAYLI KASA PROFİLLERİ
DOUBLE RAIL FRAME PROFILES

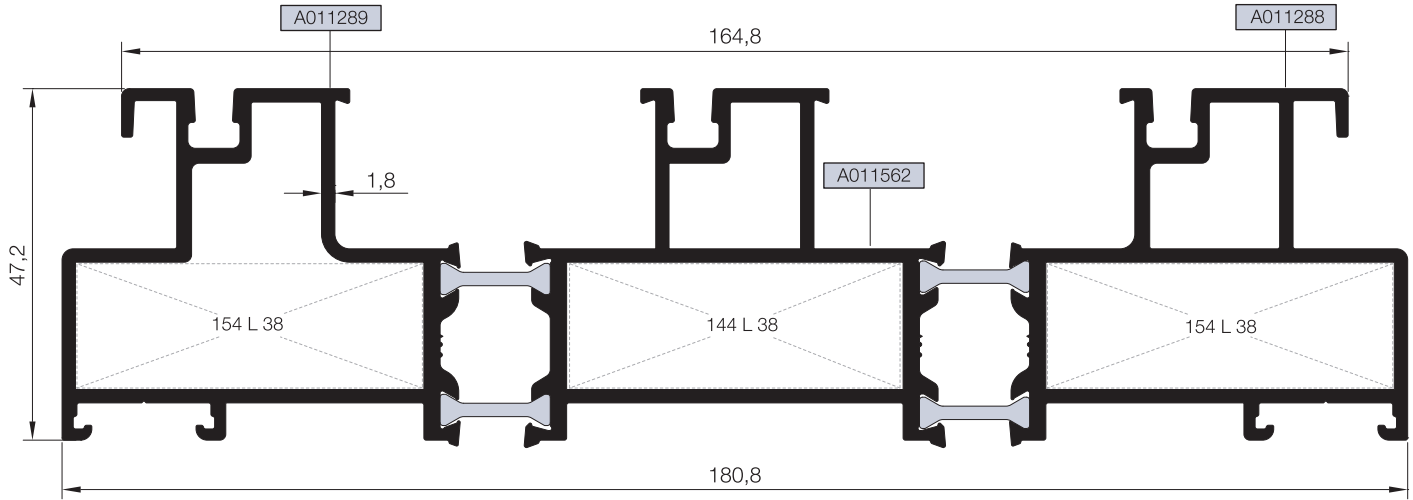
RST116

KOD / CODE	AĞIRLIK (kg/m) / WEIGHT	Jxx cm ⁴	Jyy cm ⁴	L m	
AT116F05	2,525	85,379	20,419	6	
AT116F07	3,872	301,944	29,758	6	

AT116F05



AT116F07



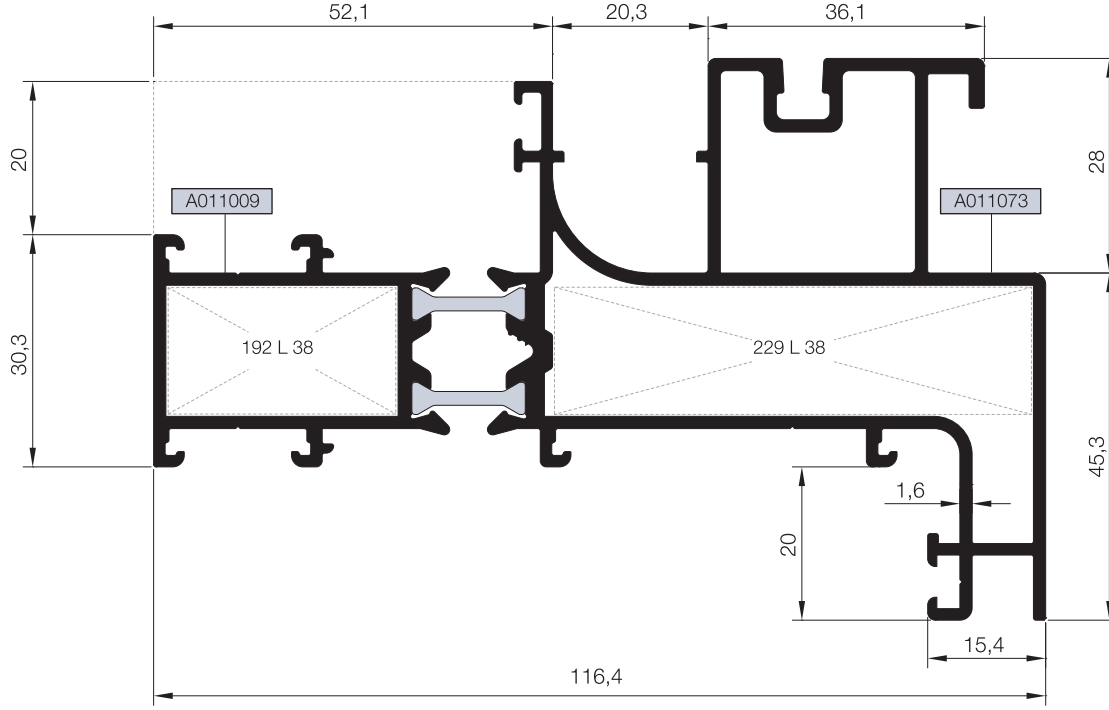
Nr		L m	KESİM ÖLÇÜSÜ CUTTING SIZE	AKS. KODU ACS. CODE
AT116F05	A011289	25 L 38 (A002074)	46,5 mm	154 L 38
	A011288	25 L 38 (A002074)		
AT116F07	A011289	25 L 38 (A002074)	46,5 mm	154 L 38
	A011562	25 L 38 (A002074)	44,4 mm	144 L 38
	A011288	25 L 38 (A002074)	46,5 mm	154 L 38

TEK RAYLI KASA PROFİLLERİ
SINGLE RAIL FRAME PROFILES

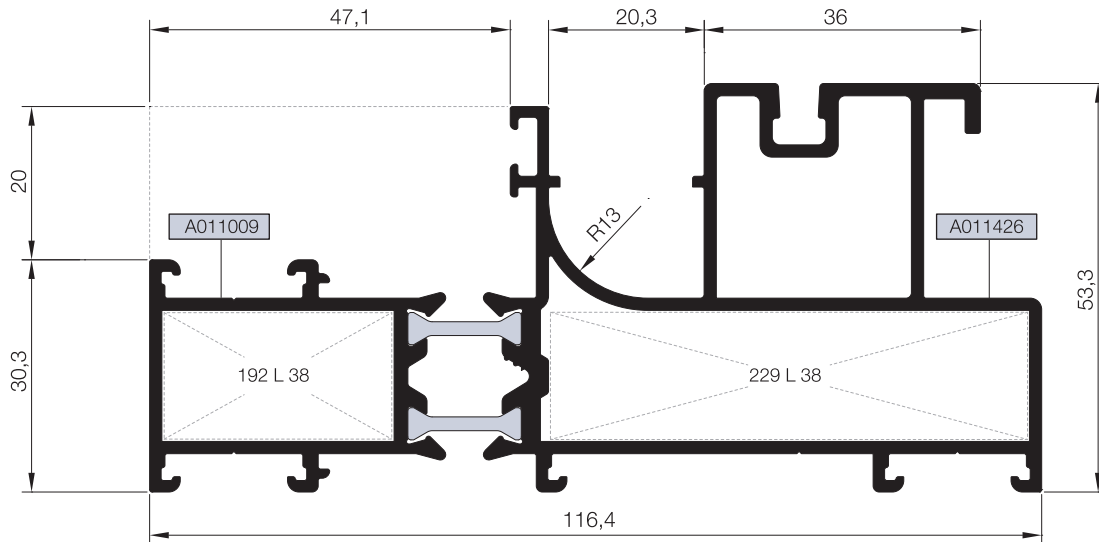
RST116

KOD / CODE	AĞIRLIK (kg/m) / WEIGHT	Jxx cm ⁴	Jyy cm ⁴	L m	
AT116F04	2,626	87,481	31,121	6	
AT116F06	2,407	74,916	21,916	6	

AT116F04



AT116F06

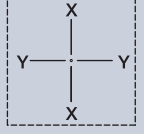


Nr		L m	KESİM ÖLÇÜSÜ CUTTING SIZE	AKS. KODU ACS. CODE
AT116F04	A011009	25 L 38 (A002074)	29,9 mm	192 L 38
	A011073	25 L 38 (A002074)	62,4 mm	229 L 38
AT116F06	A011009	25 L 38 (A002074)	29,9 mm	192 L 38
	A011426	25 L 38 (A002074)	62,4 mm	229 L 38

KASA PROFİLLERİ
FRAME PROFILES

RST116

KOD / CODE	AĞIRLIK (kg/m) / WEIGHT	Jxx cm ⁴	Jyy cm ⁴	L m	
AT116F03	1,935	18,966	57,332	6	



11

12

13

14

15

16

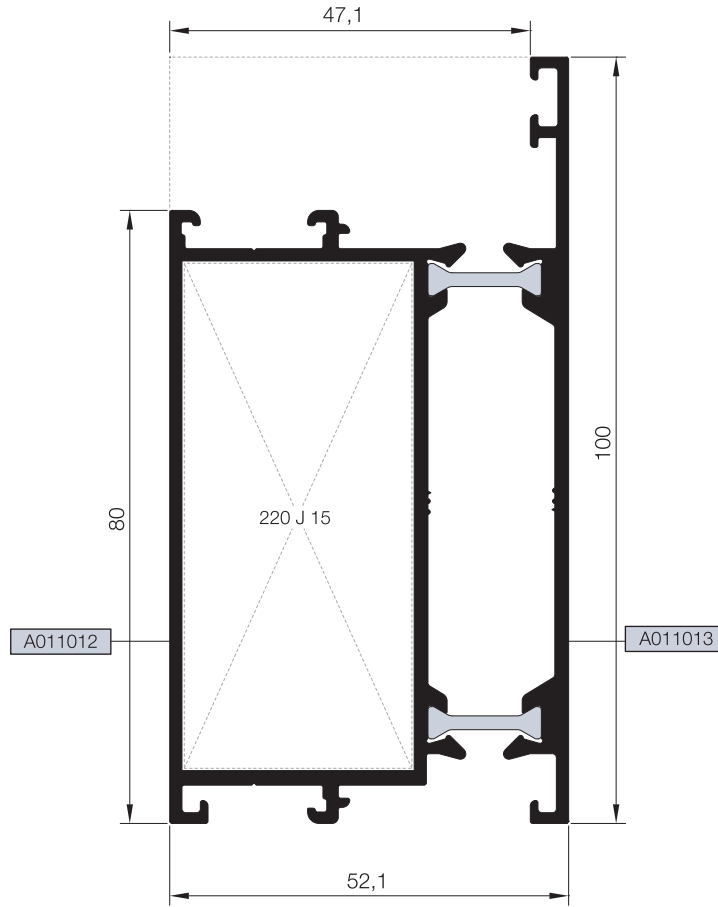
17



18

19

20

AT116F03



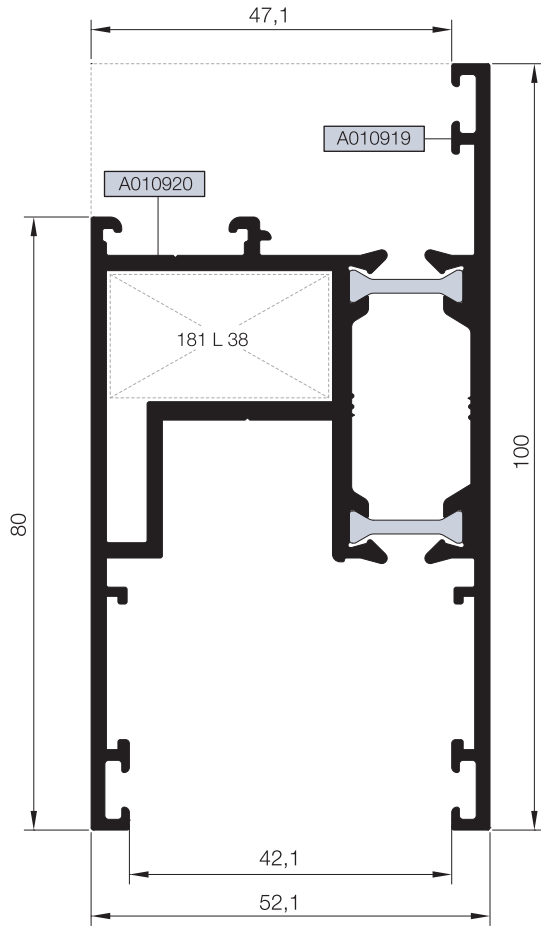
Nr		 L m	KESİM ÖLÇÜSÜ CUTTING SIZE	 AKS. KODU ACS. CODE
AT116F03	A011012	25 J 15 (A011015)	66,2 mm	220 J 15
	A011013	----	----	----

KANAT PROFİLLERİ
VENT PROFILES

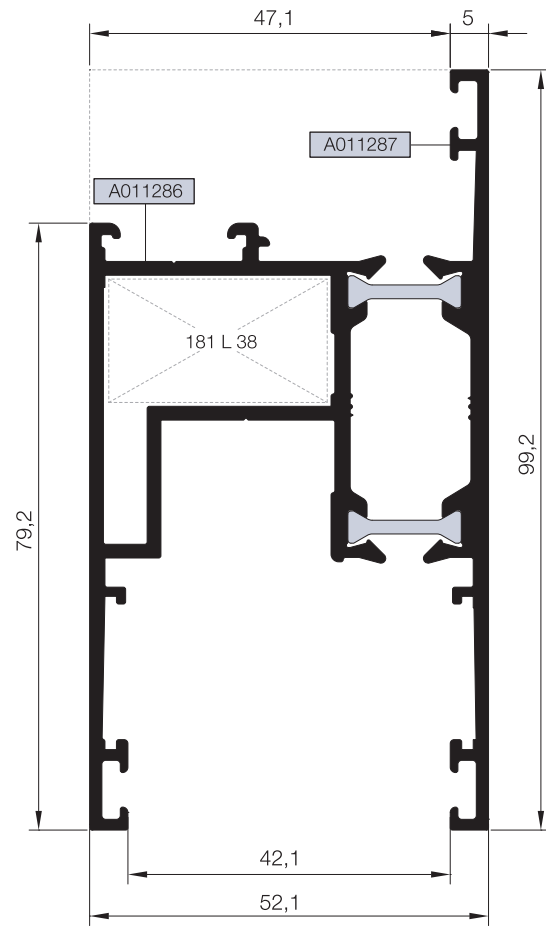
RST116

KOD / CODE	AĞIRLIK (kg/m) / WEIGHT	Jxx cm4	Jyy cm4	L m	
AT116V01	2,195	23,765	43,220	6	
AT116V02	2,010	21,988	39,156	6	

AT116V01



AT116V02



Nr		L m	KESİM ÖLÇÜSÜ CUTTING SIZE	AKS. KODU ACS. CODE
AT116V01	A010920	25 L 38 (A002074)	29,1 mm	181 L 38
	A010919	-----	-----	-----
AT116V02	A011286	25 L 38 (A002074)	29,1 mm	181 L 38
	A011287	-----	-----	-----

11

12

13

14

15

16

17

18

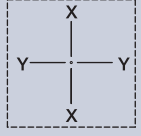
19

20

KANAT PROFİLLERİ
VENT PROFILES

RST116

KOD / CODE	AĞIRLIK (kg/m) / WEIGHT	Jxx cm ⁴	Jyy cm ⁴	L m
AT116V03	2,394	24,951	49,417	6
AT116V05	2,887	72,9291	45,8558	6



11

12

13

14

15

16

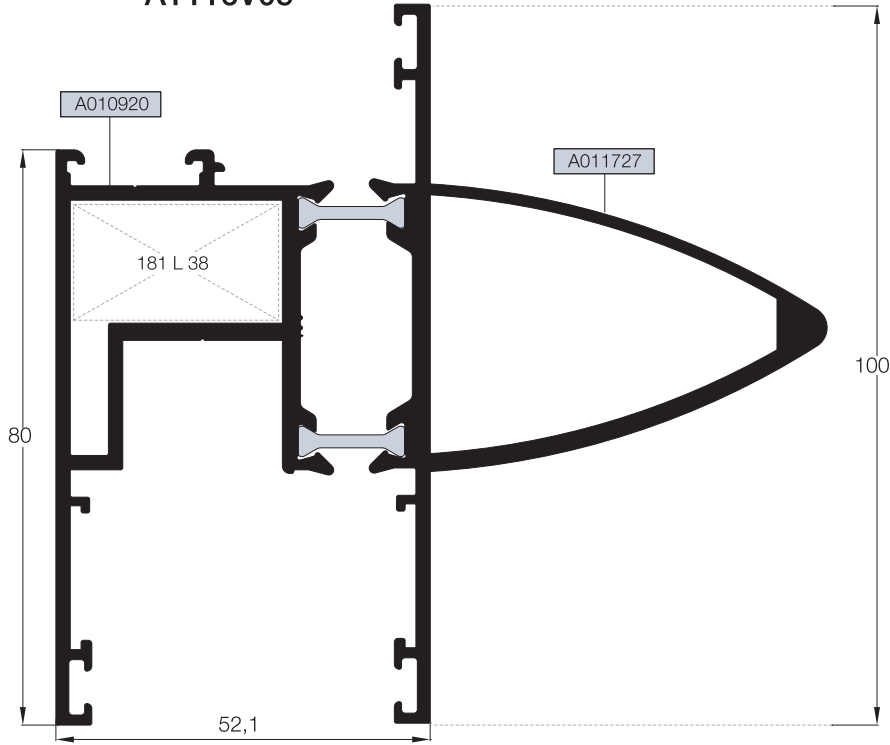
17

18

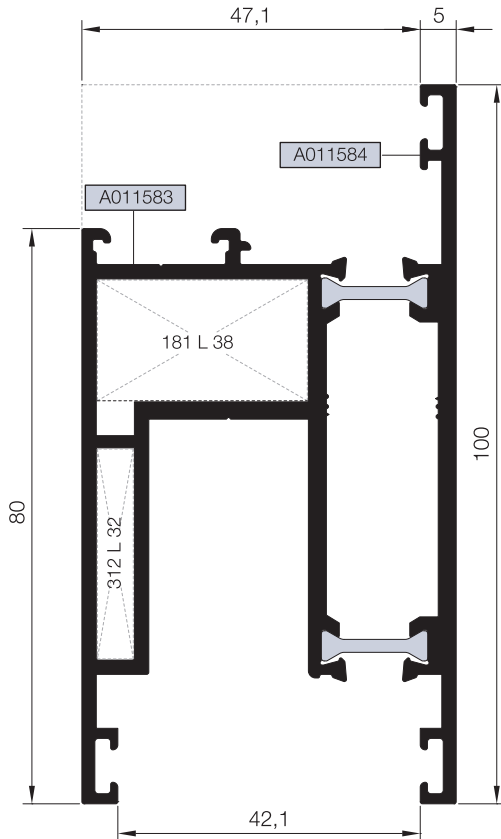
19



20

AT116V05



AT116V03

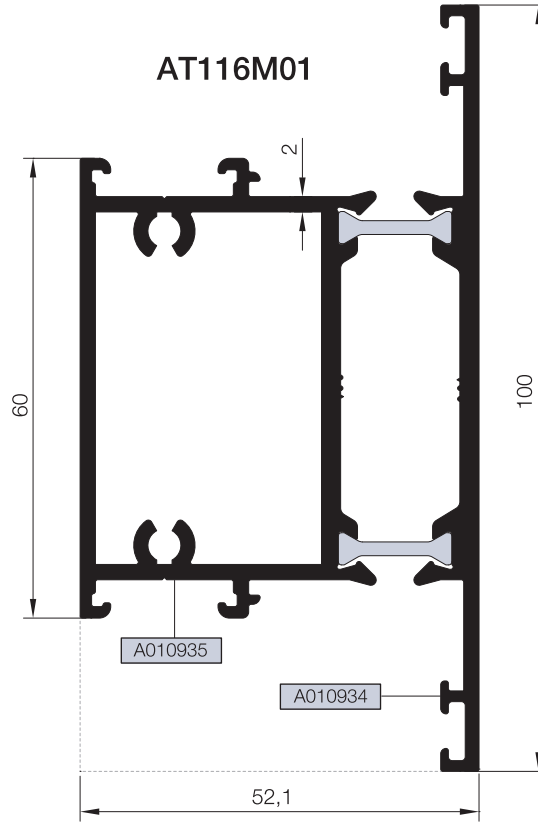


Nr	 L m	KESİM ÖLÇÜSÜ CUTTING SIZE	 AKS. KODU ACS. CODE
AT116V03	A011583	25 L 38 (A002074)	181 L 38
	A011584	25 L 32 (A002430)	312 L 32
AT116V05	A010920	25 L 38 (A002074)	181 L 38
	A011727	-----	-----

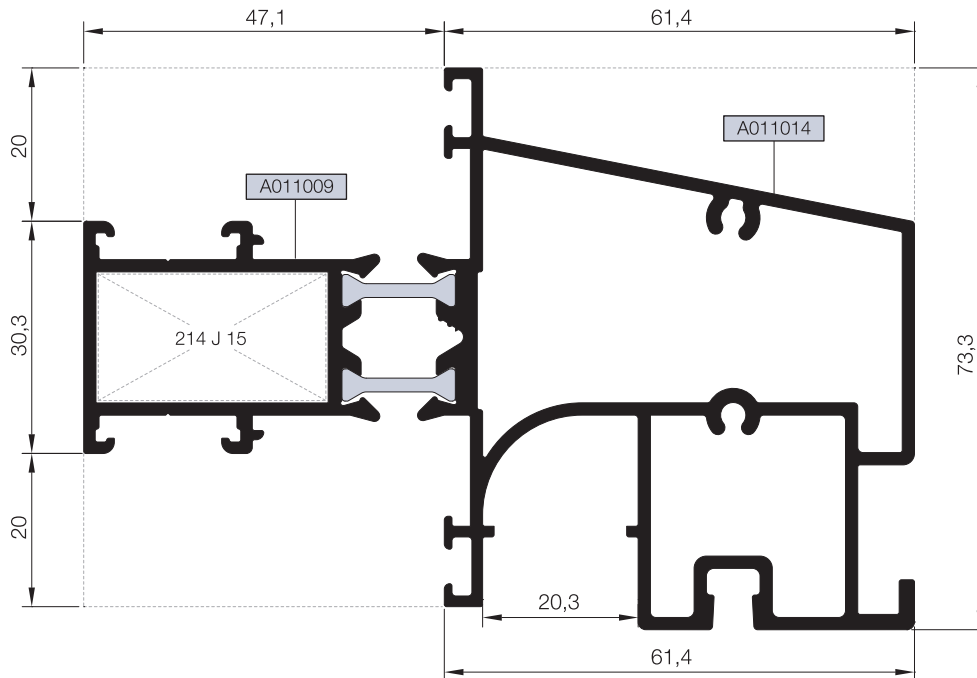
ORTA KAYIT PROFİLLERİ
MULLION PROFILES

RST116

KOD / CODE	AĞIRLIK (kg/m) / WEIGHT	Jxx cm ⁴	Jyy cm ⁴	L m	
AT116M01	2,157	20,673	42,515	6	
AT116M02	2,528	69,214	30,604	6	



AT116M02



Nr		KESİM ÖLÇÜSÜ CUTTING SIZE	AKS. KODU ACS. CODE
AT116M02	A011009	25 J 15 (A011015)	214 J 15
	A011014	----	----

11

12

13

14

15

16

17

18

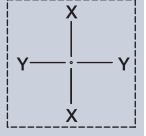
19

20

ADAPTÖR PROFİLLERİ
ADAPTER PROFILES

RST116

KOD / CODE	AĞIRLIK (kg/m) / WEIGHT	Jxx cm ⁴	Jyy cm ⁴	L m
T116 A 01	0,755	---	---	6
T116 A 09	0,728	---	---	6



11

12

13

14

15

16

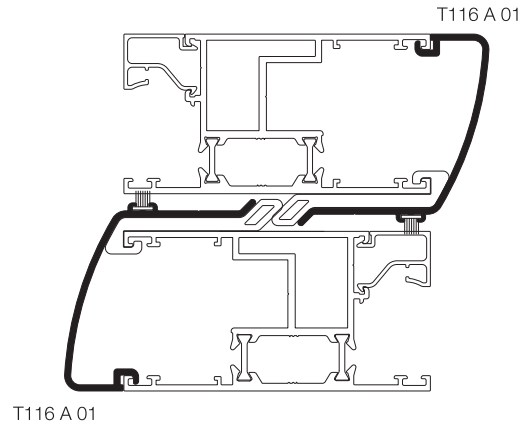
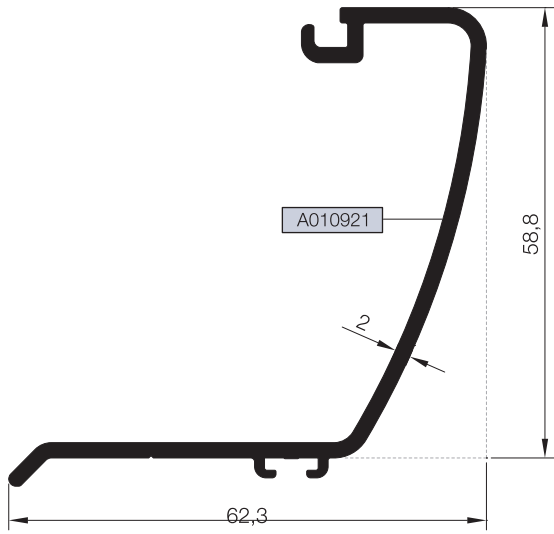
17

18

19

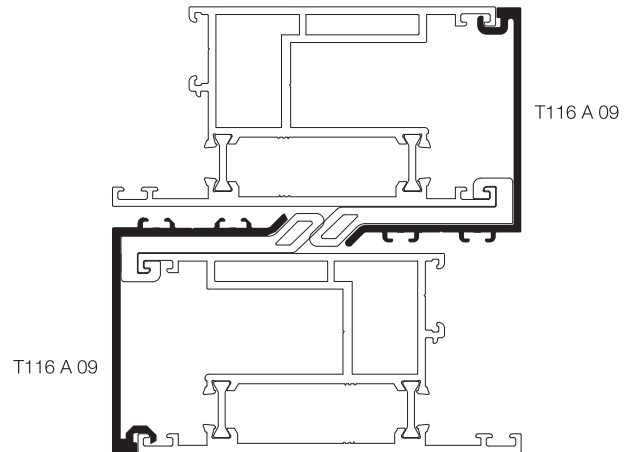
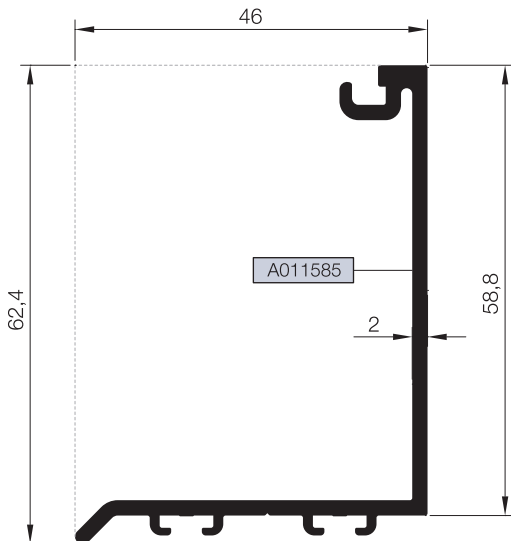
20

T116 A 01



Ölçek/Scale: 1/2

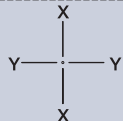
T116 A 09



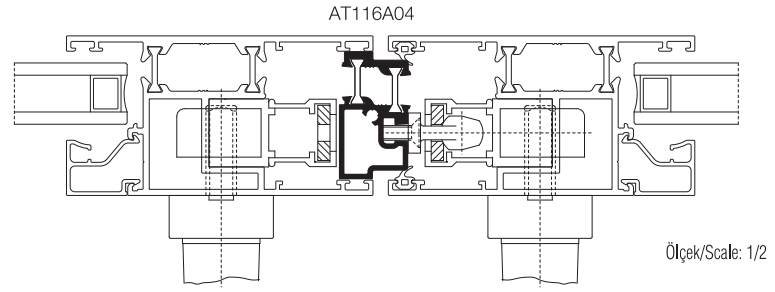
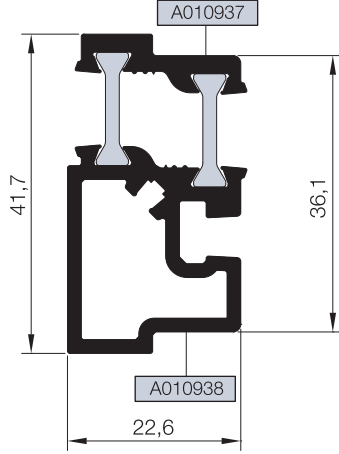
Ölçek/Scale: 1/2

ADAPTÖR PROFİLLERİ
ADAPTER PROFILES

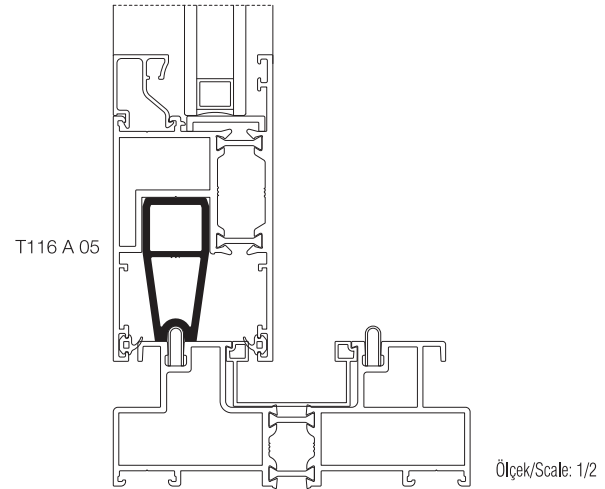
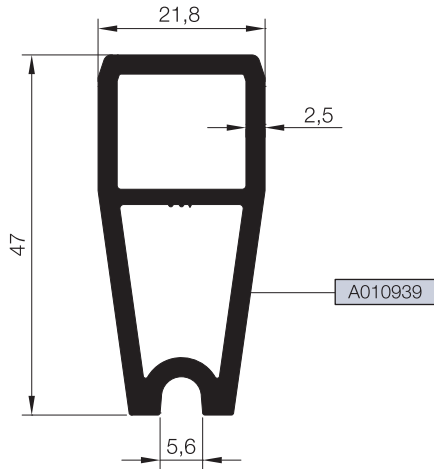
RST116

KOD / CODE	AĞIRLIK (kg/m) / WEIGHT	Jxx cm4	Jyy cm4	L m	
AT116A04	0,867	---	---	6	
T116 A 05	0,940	---	---	6	
T116 A 06	0,515	---	---	6	

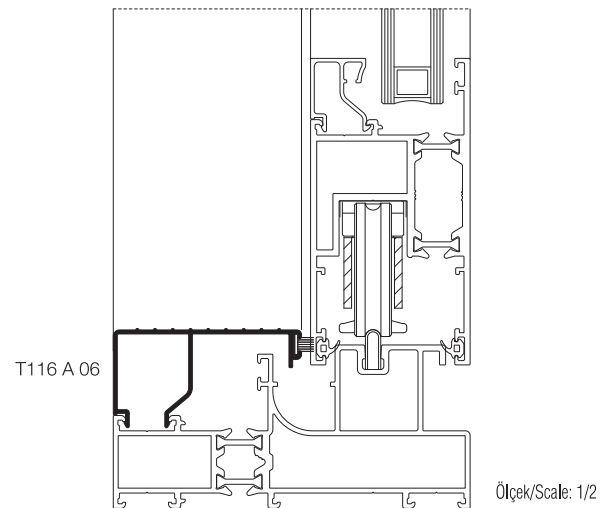
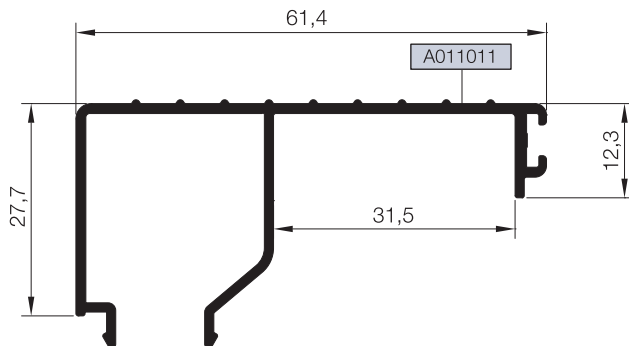
AT116A04



T116 A 05



T116 A 06



11

12

13

14

15

16

17

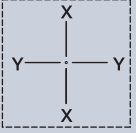
18

19

20

ADAPTÖR PROFİLLERİ
ADAPTER PROFILES

RST116

KOD / CODE	AĞIRLIK (kg/m) / WEIGHT	Jxx cm ⁴	Jyy cm ⁴	L m	
T116 A 10	0,553	---	---	6	
T116 A 11	0,567	---	---	6	

11

12

13

14

15

16

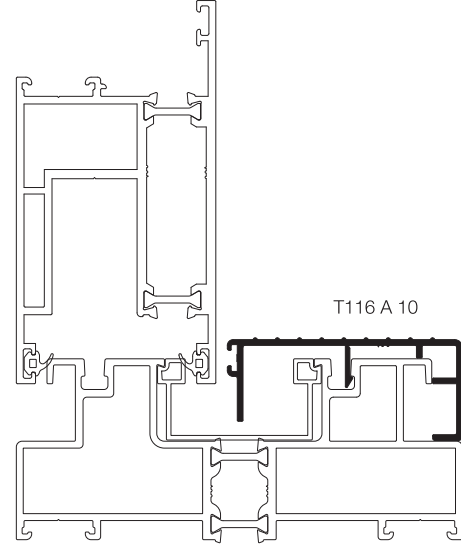
17

18

19

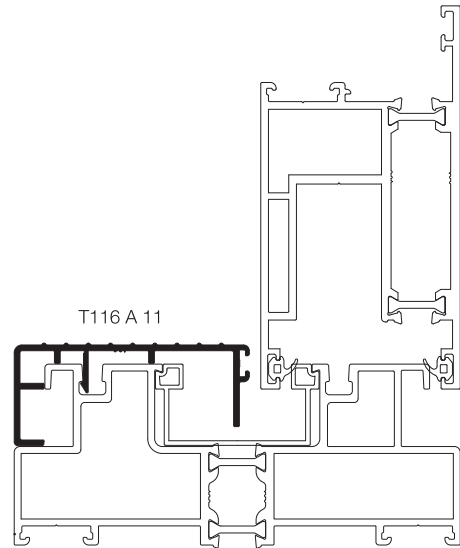
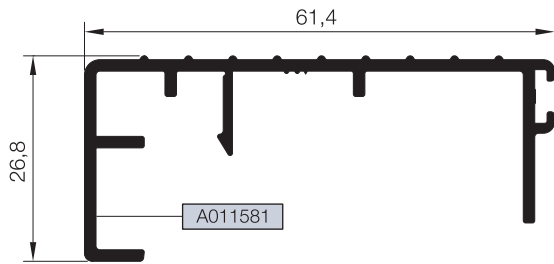
20

T116 A 10



Ölçek/Scale: 1/2

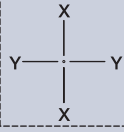
T116 A 11



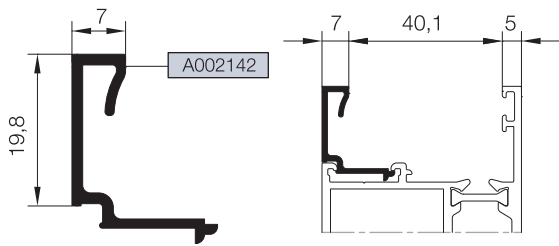
Ölçek/Scale: 1/2

CAM ÇITA PROFİLLERİ
GLAZING BEAD PROFILES

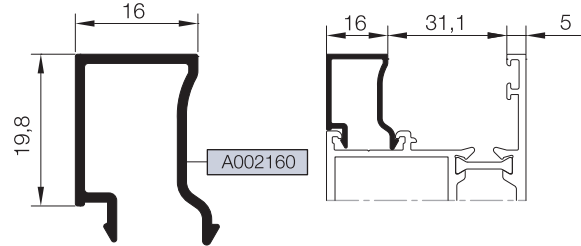
RST116

KOD / CODE	AĞIRLIK (kg/m) / WEIGHT	L m	KOD / CODE	AĞIRLIK (kg/m) / WEIGHT	L m	
25 G 21	0,196	6	25 G 09	0,229	6	
25 G 37	0,206	6	25 G 12	0,270	6	
25 G 11	0,224	6	25 G 13	0,278	6	
25 G 10	0,225	6	25 G 14	0,280	6	

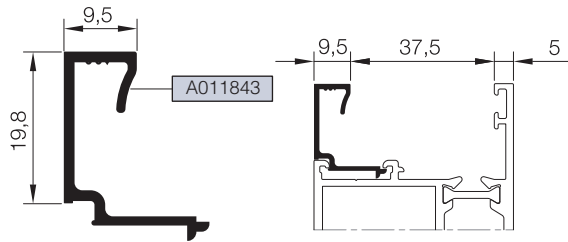
25 G 21



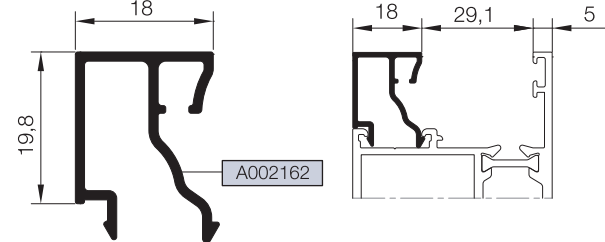
25 G 09



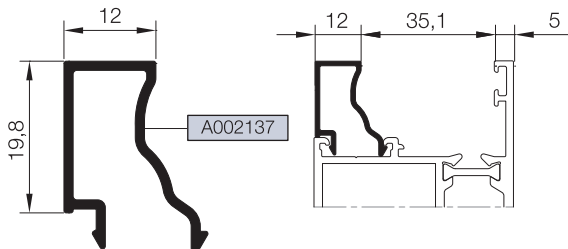
25 G 37



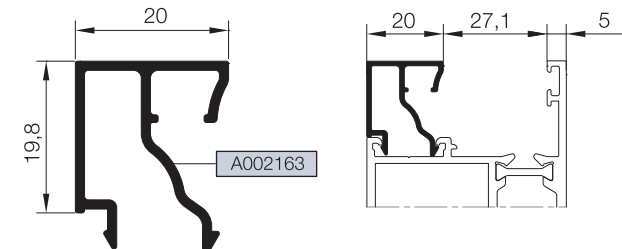
25 G 12



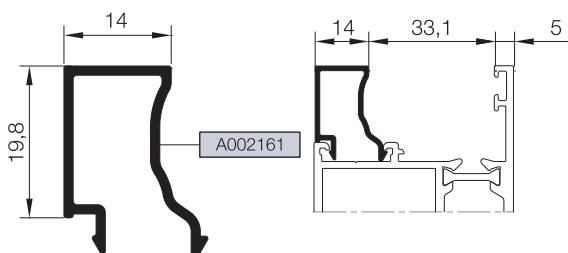
25 G 11



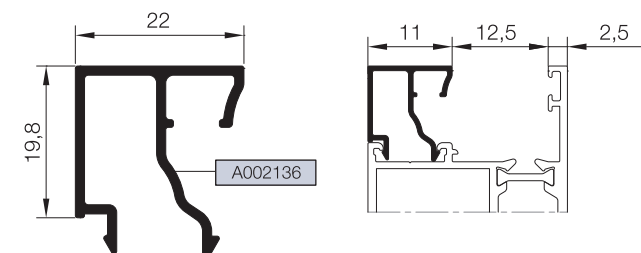
25 G 13



25 G 10



25 G 14



11

12

13

14

15

16

17

18

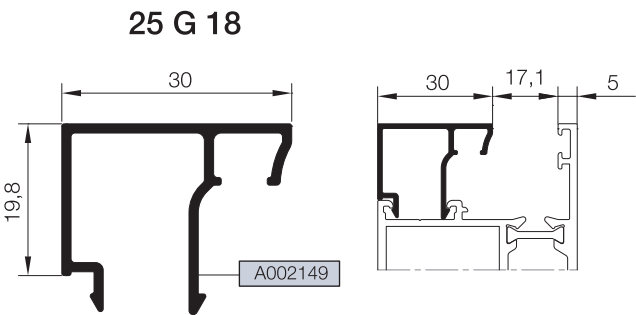
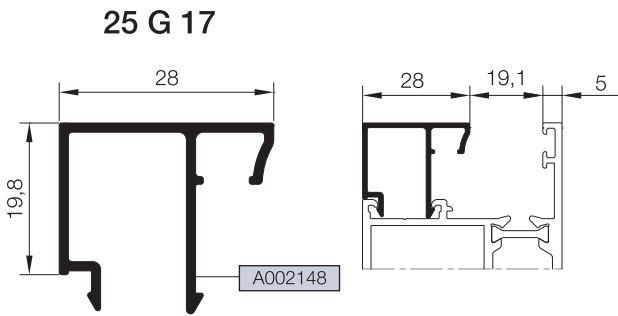
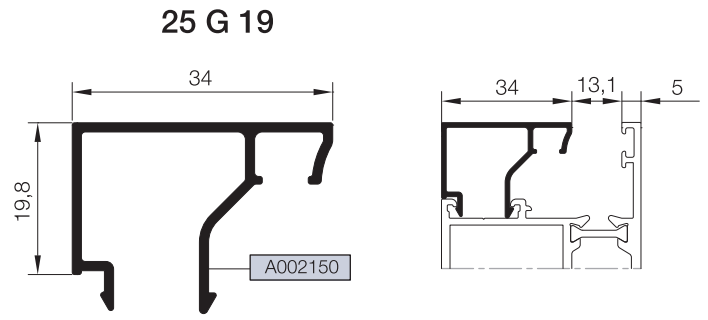
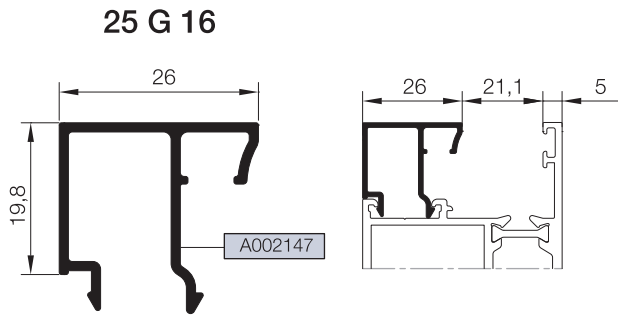
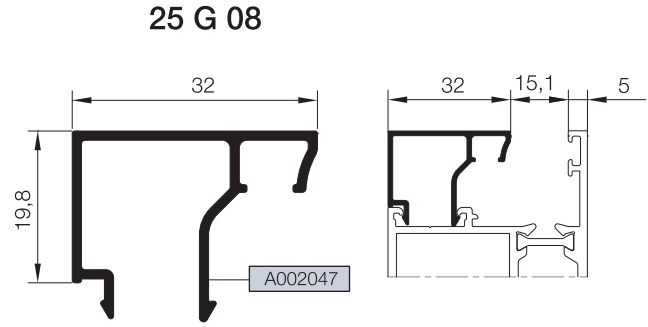
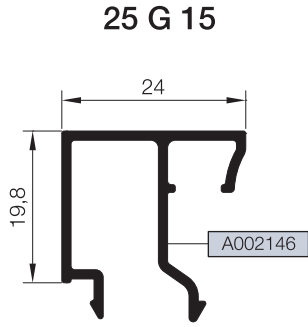
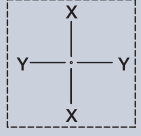
19

20

CAM ÇITA PROFİLLERİ
GLAZING BEAD PROFILES

RST116

KOD / CODE	AĞIRLIK (kg/m) / WEIGHT	L m	KOD / CODE	AĞIRLIK (kg/m) / WEIGHT	L m
25 G 15	0,282	6	25 G 08	0,309	6
25 G 16	0,287	6	25 G 19	0,317	6
25 G 17	0,292	6			
25 G 18	0,300	6			



11

12

13

14

15

16

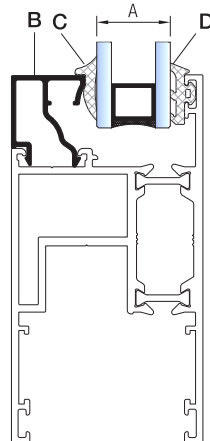
17

18

19

20

B CAM ÇİTASI GLAZING BEAD	C İÇ CAM FİTİLİ GLAZING GASKET	A CAM KALINLIĞI GLASS THICKNESS	D DIŞ CAM FİTİLİ GLAZING GASKET
25 G 19	01.17.04	5 mm	01.11.15
25 G 19	01.17.03	6 mm	01.11.15
25 G 08	01.17.04	7 mm	01.11.15
25 G 08	01.17.03	8 mm	01.11.15
25 G 08	01.17.04	9 mm	01.11.15
25 G 08	01.17.03	10 mm	01.11.15
25 G 17	01.17.04	11 mm	01.11.15
25 G 17	01.17.03	12 mm	01.11.15
25 G 16	01.17.04	13 mm	01.11.15
25 G 16	01.17.03	14 mm	01.11.15
25 G 15	01.17.04	15 mm	01.11.15
25 G 15	01.17.03	16 mm	01.11.15
25 G 14	01.17.04	17 mm	01.11.15
25 G 14	01.17.03	18 mm	01.11.15
25 G 13	01.17.04	19 mm	01.11.15
25 G 13	01.17.03	20 mm	01.11.15
25 G 12	01.17.04	21 mm	01.11.15
25 G 12	01.17.03	22 mm	01.11.15
25 G 09	01.17.04	23 mm	01.11.15
25 G 09	01.17.03	24 mm	01.11.15
25 G 10	01.17.04	25 mm	01.11.15
25 G 10	01.17.03	26 mm	01.11.15
25 G 11	01.17.04	27 mm	01.11.15
25 G 11	01.17.03	28 mm	01.11.15
25 G 37	01.17.05	29 mm	01.11.15
25 G 37	01.17.04	30 mm	01.11.15
25 G 21	01.17.05	31 mm	01.11.15
25 G 21	01.17.04	32 mm	01.11.15
25 G 21	01.17.03	33 mm	01.11.15



11

12

13

14

15

16

17

18

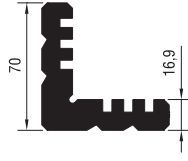
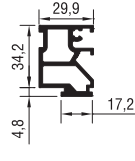
19

20

KÖŞE TAKOZLARI VE ORTA KAYIT BAĞLANTI PROFİLLERİ CORNER CLEATS AND MULLION CONNECTION PROFILES

RST116

TAKOZLAR (CLEATS)

PROFİL KODU (PROFILE CODE)	25 L 38	25 J 15		
FABRİKA KODU (FACTORY CODE)	A002074	A011015		
AĞIRLIK (WEIGHT)	4,854 kg/m	1,029 kg/m		
ÇİZİM (DRAWING)				

KÖŞE TAKOZLARI (CORNER CLEATS)				
Nr		L m	KESİM ÖLÇÜSÜ CUTTING SIZE	AKS. KODU ACS. CODE
AT116F01	A010917	25 L 38 (A002074)	45,9 mm	204 L 38
	A010918	25 L 38 (A002074)		
AT116F02	A011009	25 L 38 (A002074)	29,9 mm	192 L 38
	A011010	25 L 38 (A002074)	62,4 mm	229 L 38
AT116F04	A011009	25 L 38 (A002074)	29,9 mm	192 L 38
	A011073	25 L 38 (A002074)	62,4 mm	229 L 38
AT116F05	A011289	25 L 38 (A002074)	46,5 mm	154 L 38
	A011288	25 L 38 (A002074)		
AT116F07	A011289	25 L 38 (A002074)	46,5 mm	154 L 38
	A011562	25 L 38 (A002074)	44,4 mm	144 L 38
	A011288	25 L 38 (A002074)	46,5 mm	154 L 38
AT116V01	A010920	25 L 38 (A002074)	29,1 mm	181 L 38
AT116V02	A011286	25 L 38 (A002074)	29,1 mm	181 L 38
AT116V03	A011583	25 L 38 (A002074)	29,1 mm	181 L 38
		25 L 32 (A002430)	5,0 mm	312 L 32
AT116V05	A010920	25 L 38 (A002074)	29,1 mm	181 L 38

ORTA KAYIT BAĞLANTI (MULLION CONNECTION PIECE)				
Nr		L m	KESİM ÖLÇÜSÜ CUTTING SIZE	AKS. KODU ACS. CODE
AT116F03	A011012	25 J 15 (A011015)	66,2 mm	220 J 15
AT116M02	A011009	25 J 15 (A011015)	16,8 mm	214 J 15

STOKTA BULUNAN SİSTEM PROFİLLERİNİN LİSTESİ (LIST OF SYSTEM PROFILES IN STOCK)

Nr		MİN. SİPARİŞ MİKTARI MIN. ORDER QUANTITY
AT116F03	A011012	75 kg
	A011013	75 kg
AT116F05	A011289	75 kg
	A011288	75 kg
AT116F06	A011009	75 kg
	A011426	75 kg
AT116F07	A011289	75 kg
	A011562	75 kg
	A011288	75 kg
AT116V01	A010919	75 kg
	A010920	75 kg
AT116V02	A011286	75 kg
	A011287	75 kg
AT116V05	A011727	75 kg
	A010920	75 kg
AT116A01	A010921	75 kg
AT116A06	A011011	75 kg

* STOKTA BULUNMAYAN TÜM PROFİLLER İÇİN MİNİMUM SİPARİŞ MİKTARI 300'KG'DİR.
MINIMUM ORDER QUANTITY FOR ALL THE PROFILES THAT ARE NOT IN STOCK IS 300 KG.

MİMARİ KATALOG ARCHITECTURAL CATALOGUE

Alüminyum Kapı Pencere ve Giydirme Cephe Sistemleri
Aluminium Window Doors and Facade Systems



Rescara Sistem Detayları
Rescara System Details

RST116

DETAYLAR

DETAILS

11

12

13

14

15

16

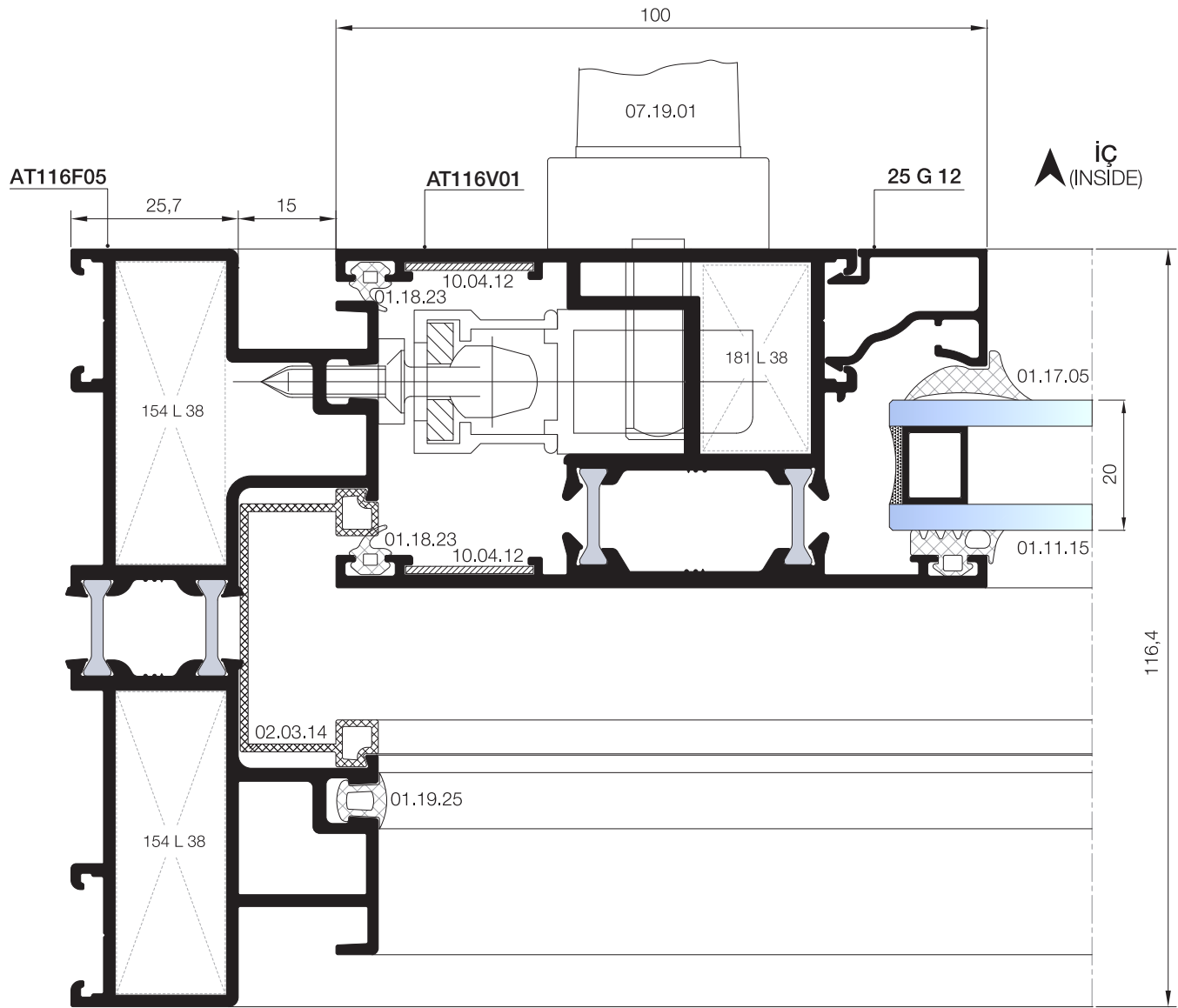
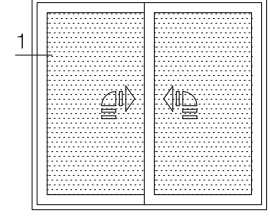
17

18

19

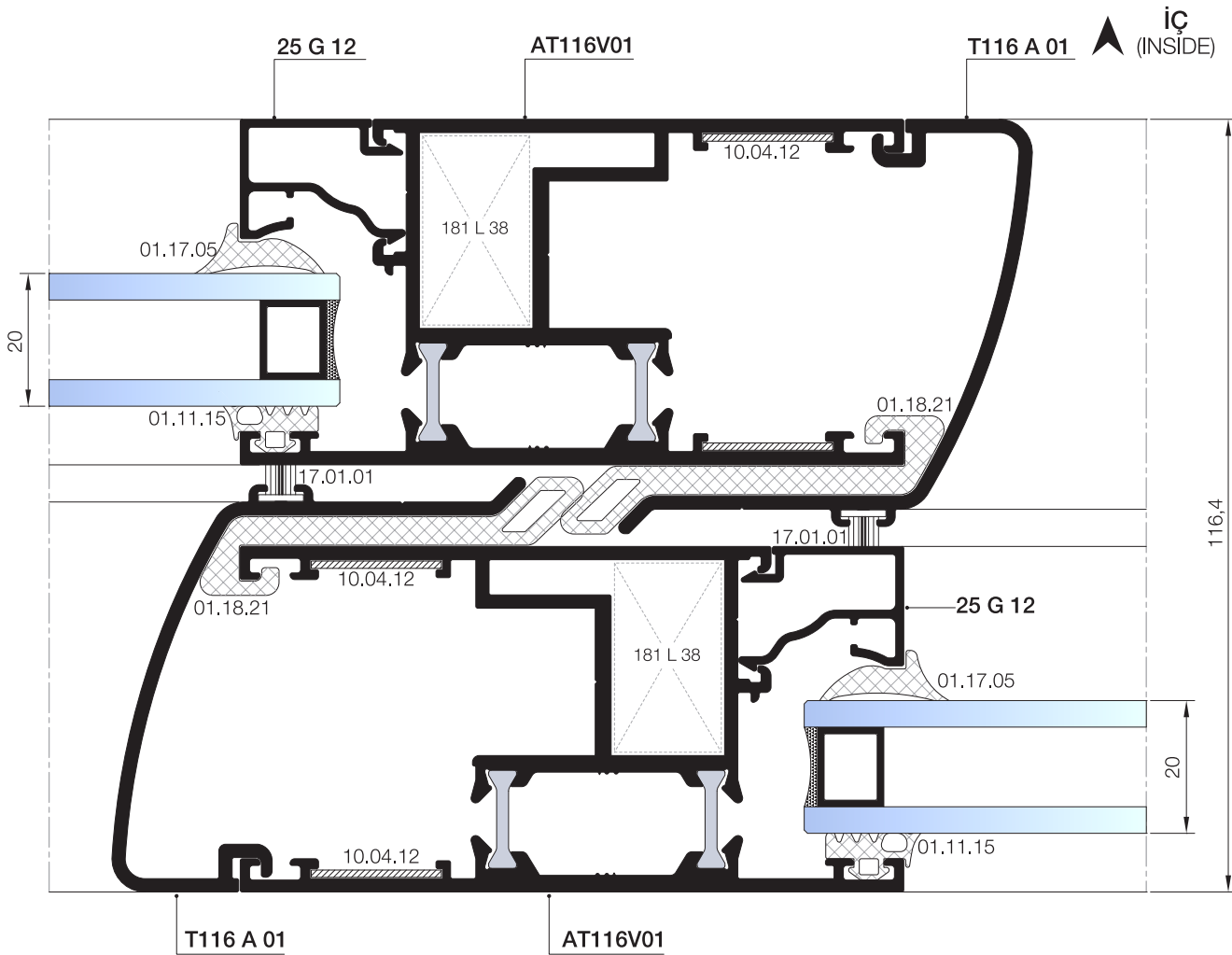
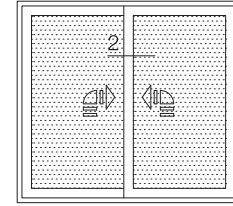
20

KALDIRI SÜR DETAYI
LIFT & SLIDE DETAIL



① DETAYI
DETAIL

KALDIR SÜR DETAYI
LIFT & SLIDE DETAIL



KALDIR SÜR DETAYI
LIFT & SLIDE DETAIL

11

12

13

14

15

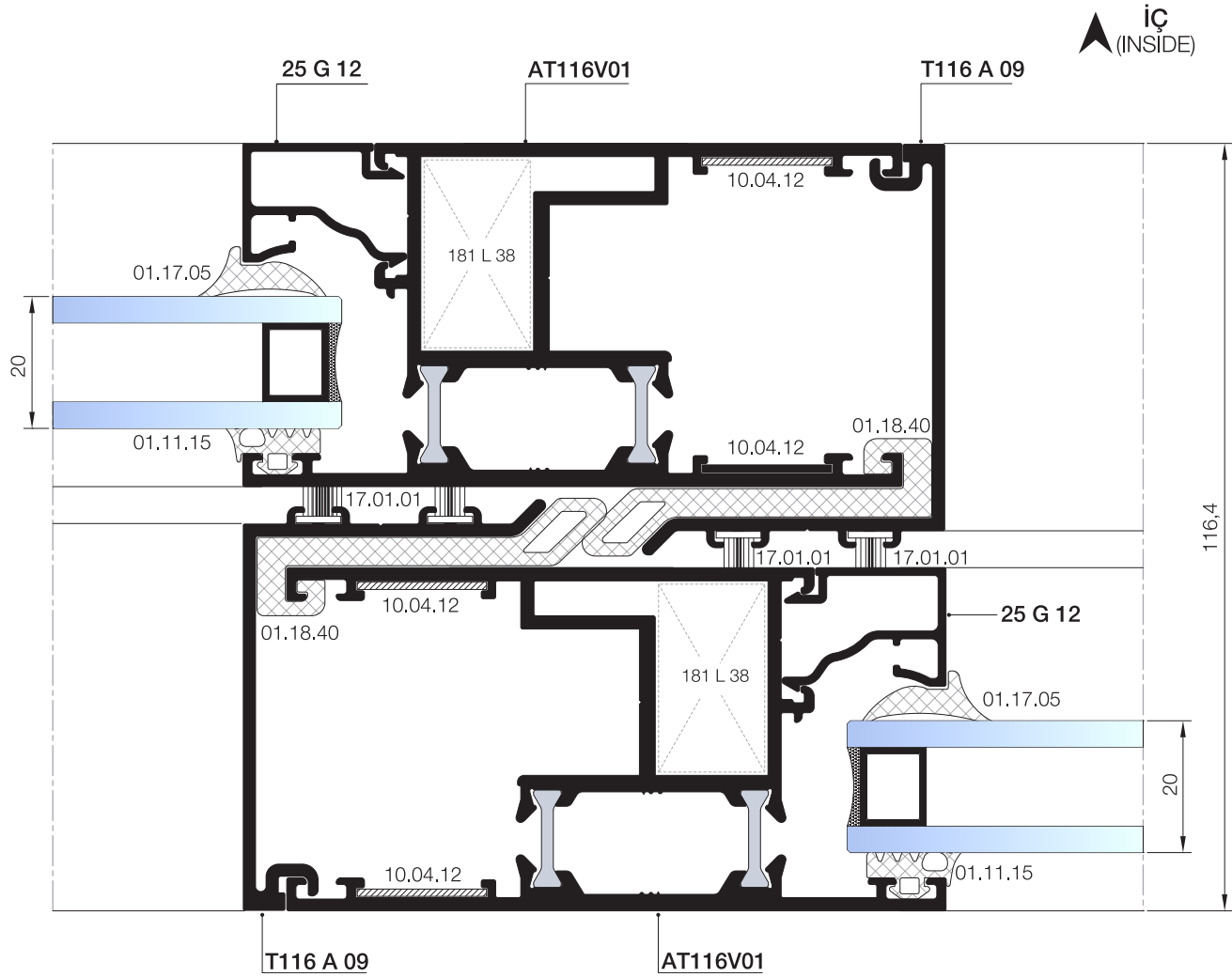
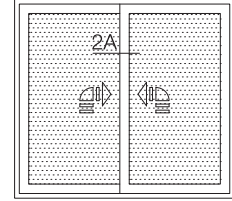
16

17

18

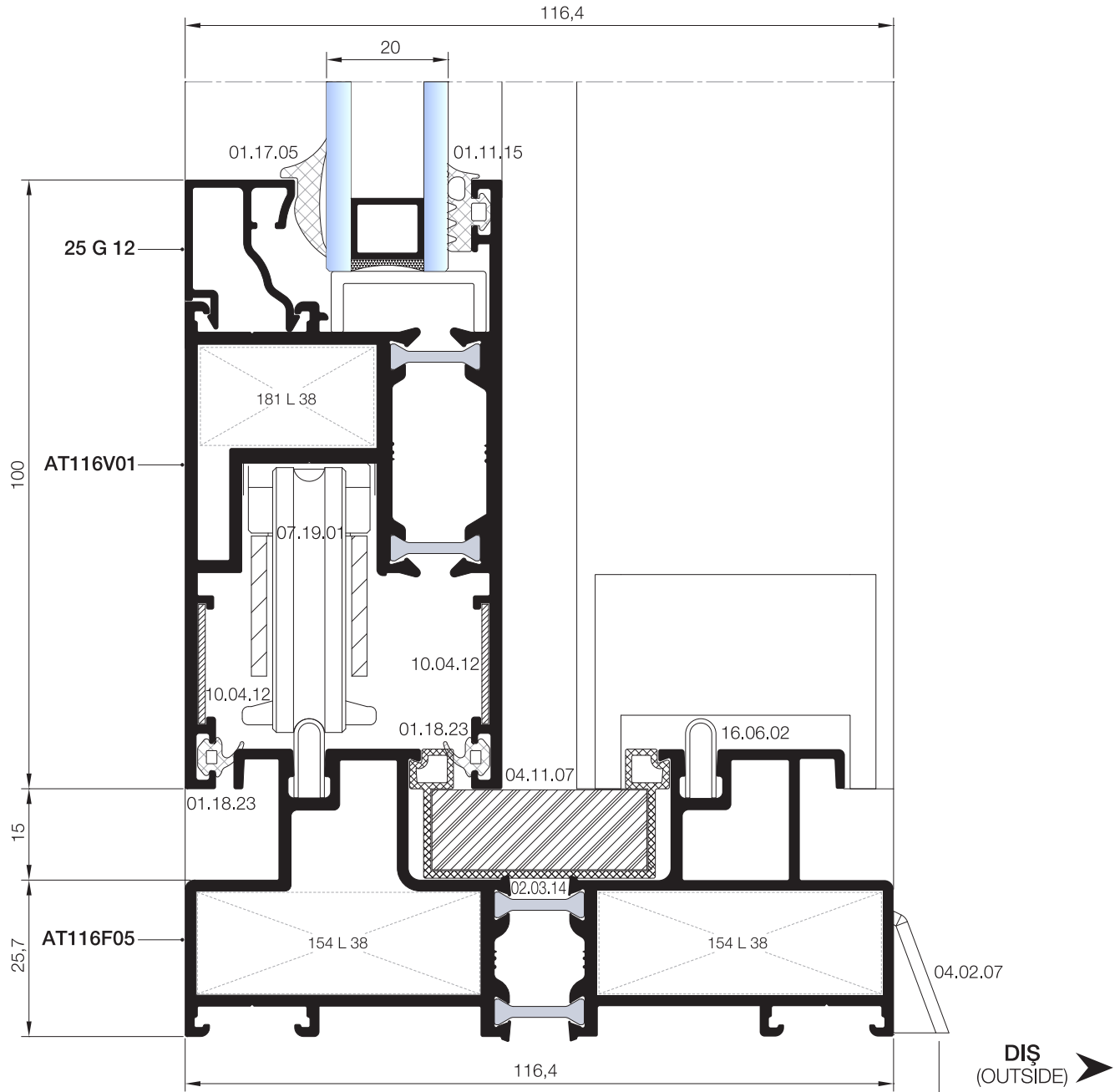
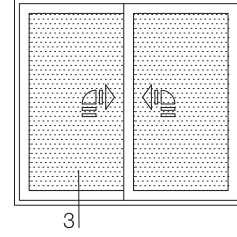
19

20



2A DETAYI
DETAIL

KALDIRI SÜR DETAYI
LIFT & SLIDE DETAIL



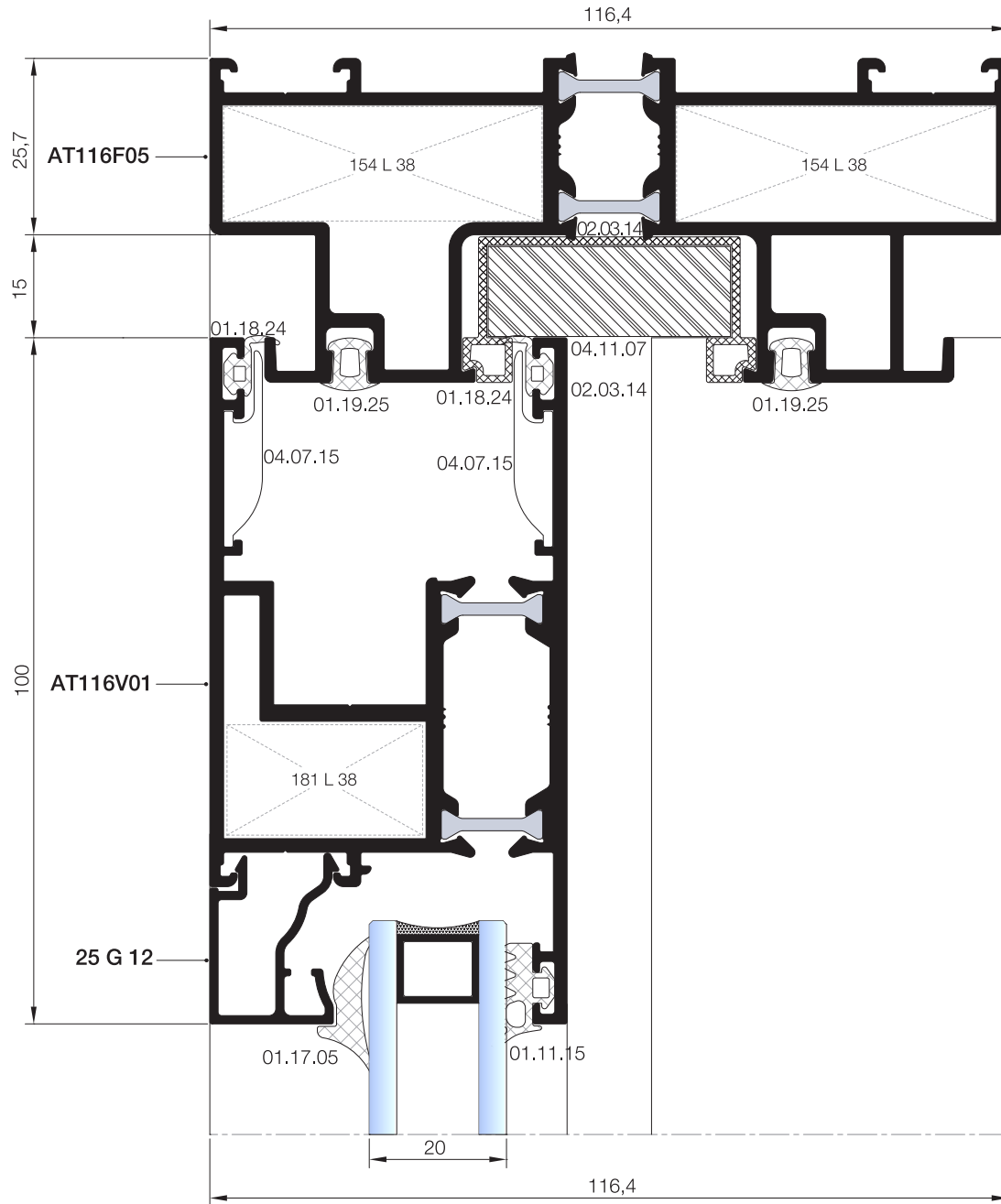
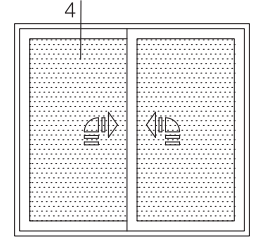
③ DETAYI
DETAIL

TAHLİYE DELİĞİNİN ÖLÇÜLERİ
DRAINAGE HOLE DIMENSIONS

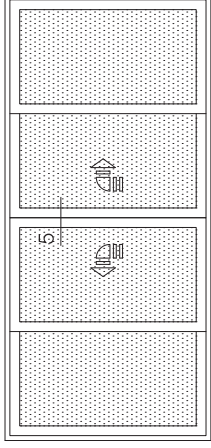
DEAYLAR

DETAILS

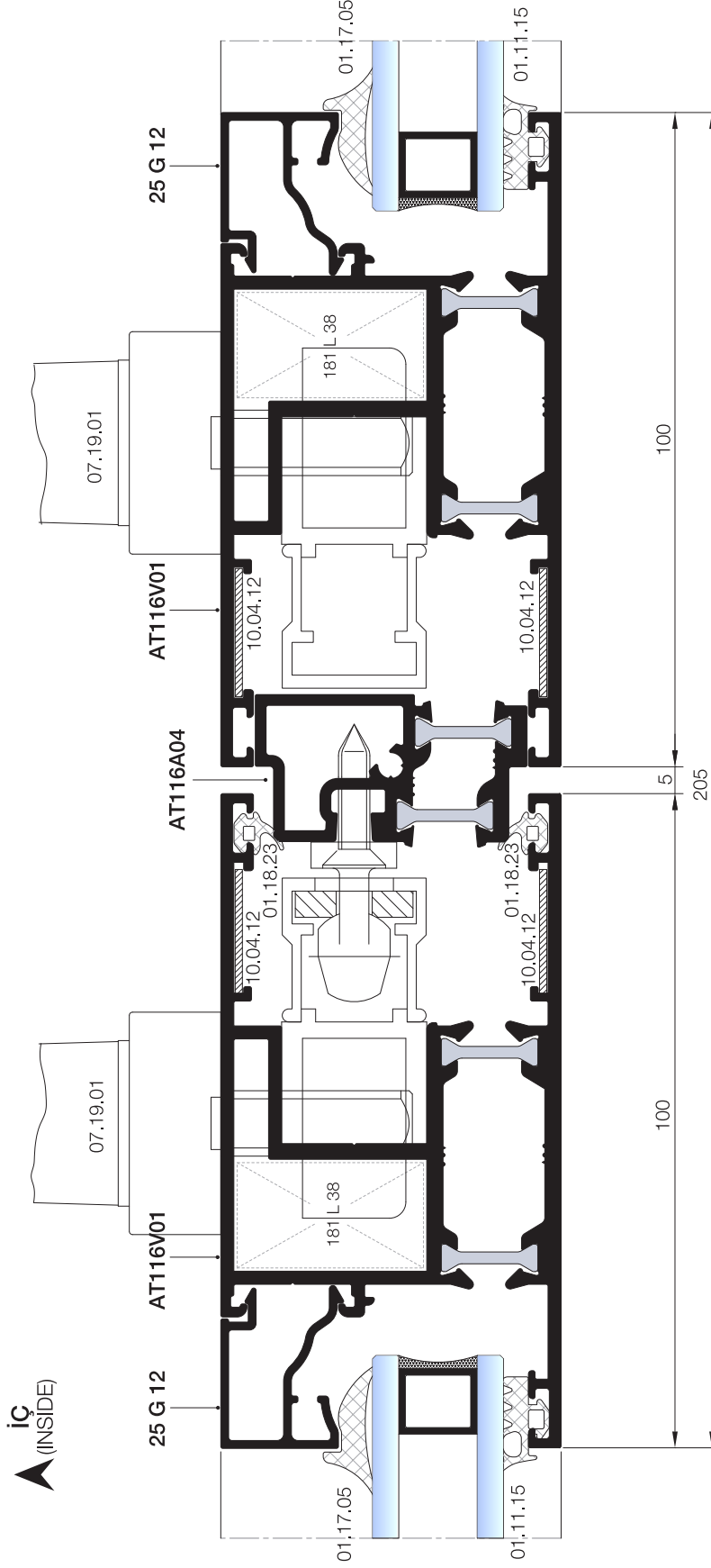
KALDIR SÜR DETAYI
LIFT & SLIDE DETAIL



④ DETAYI
DETAIL



KALDIRI SÜR DETAYI
LIFT & SLIDE DETAIL



627

11

12

13

14

15

16

17

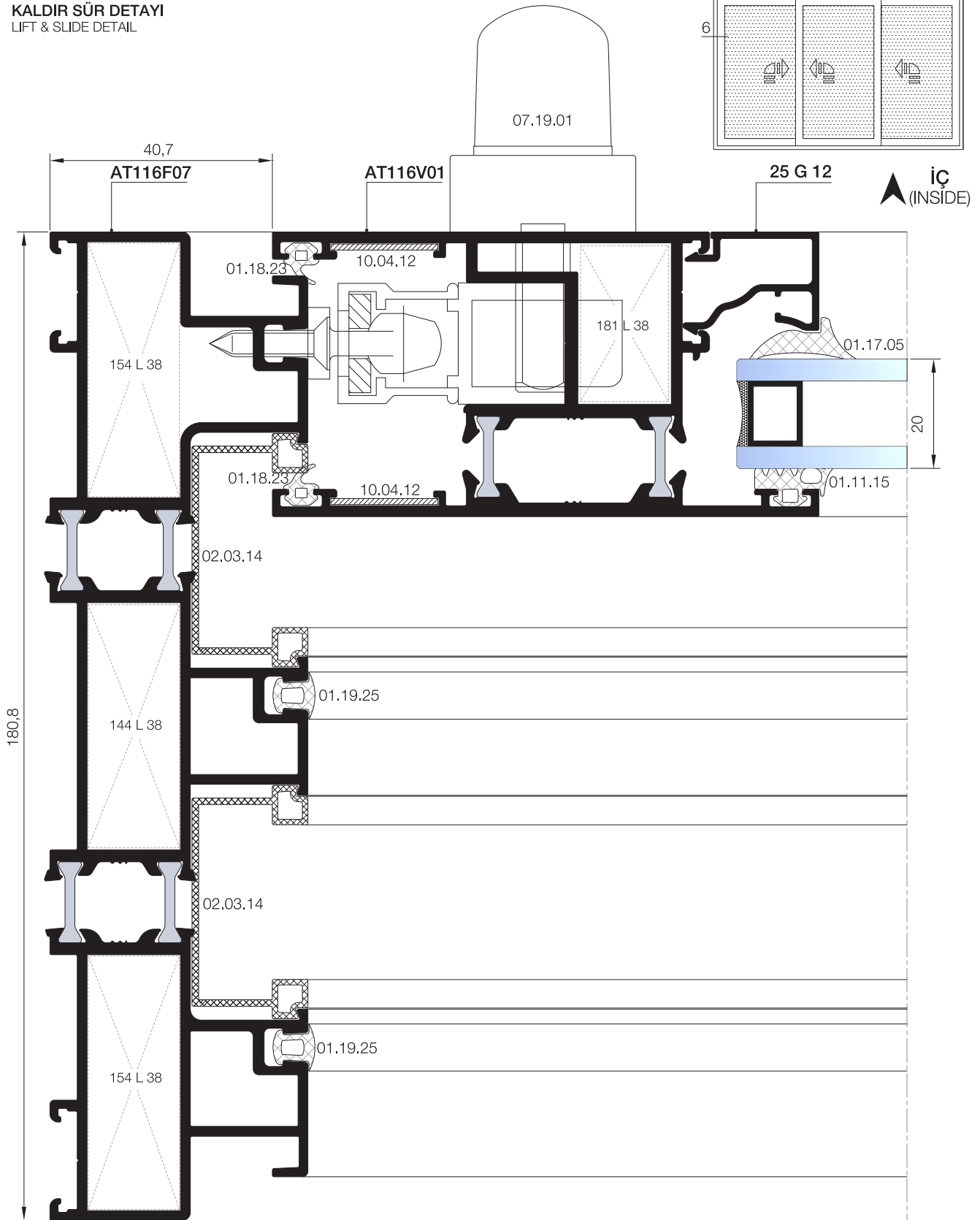
18

19

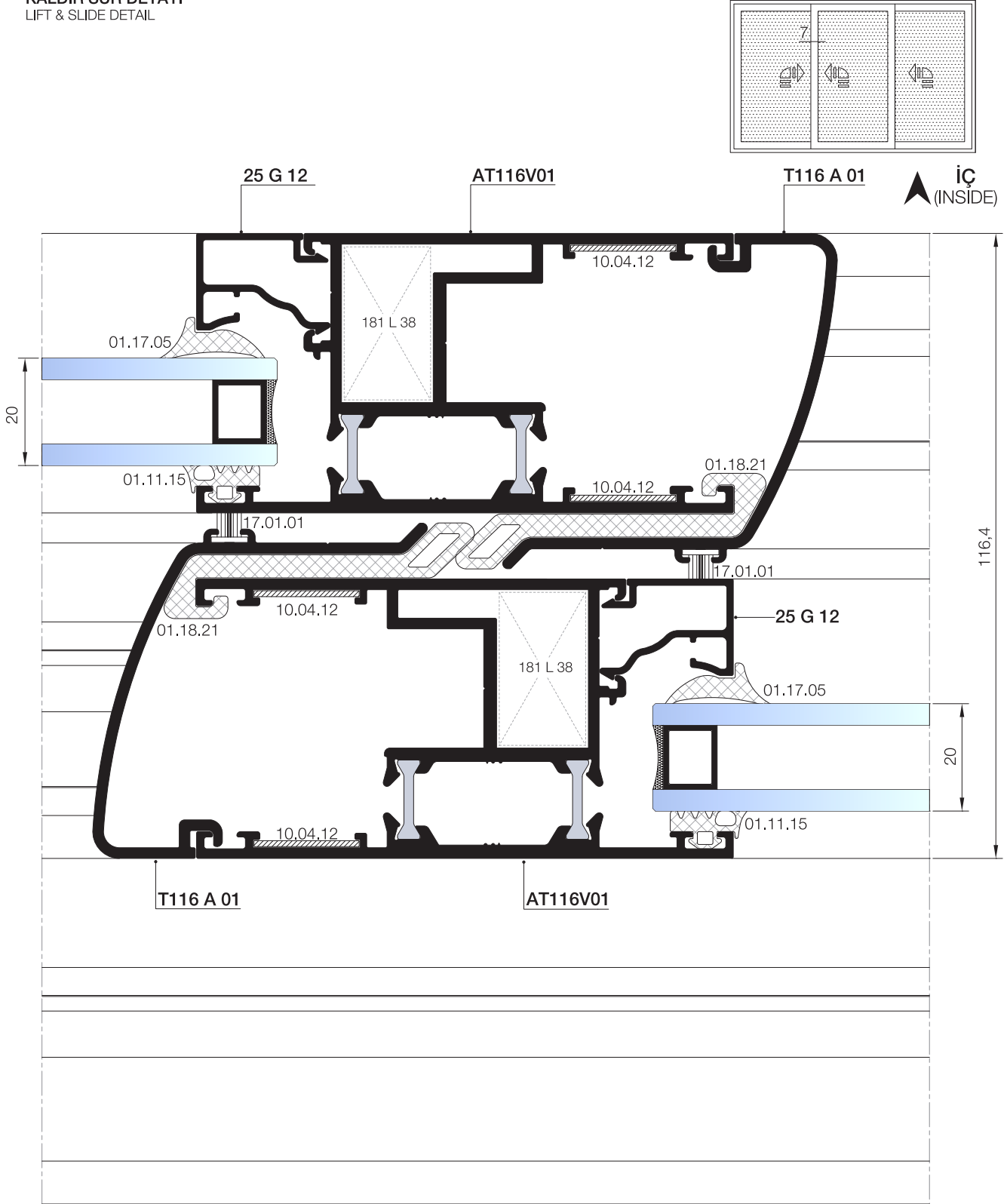
20

5 DETAYI
DETAIL

KALDIR SÜR DETAYI
LIFT & SLIDE DETAIL



KALDIR SÜR DETAYI
LIFT & SLIDE DETAIL



11

12

13

14

15

16

17

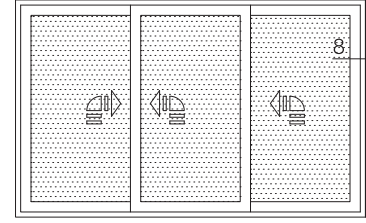
18

19

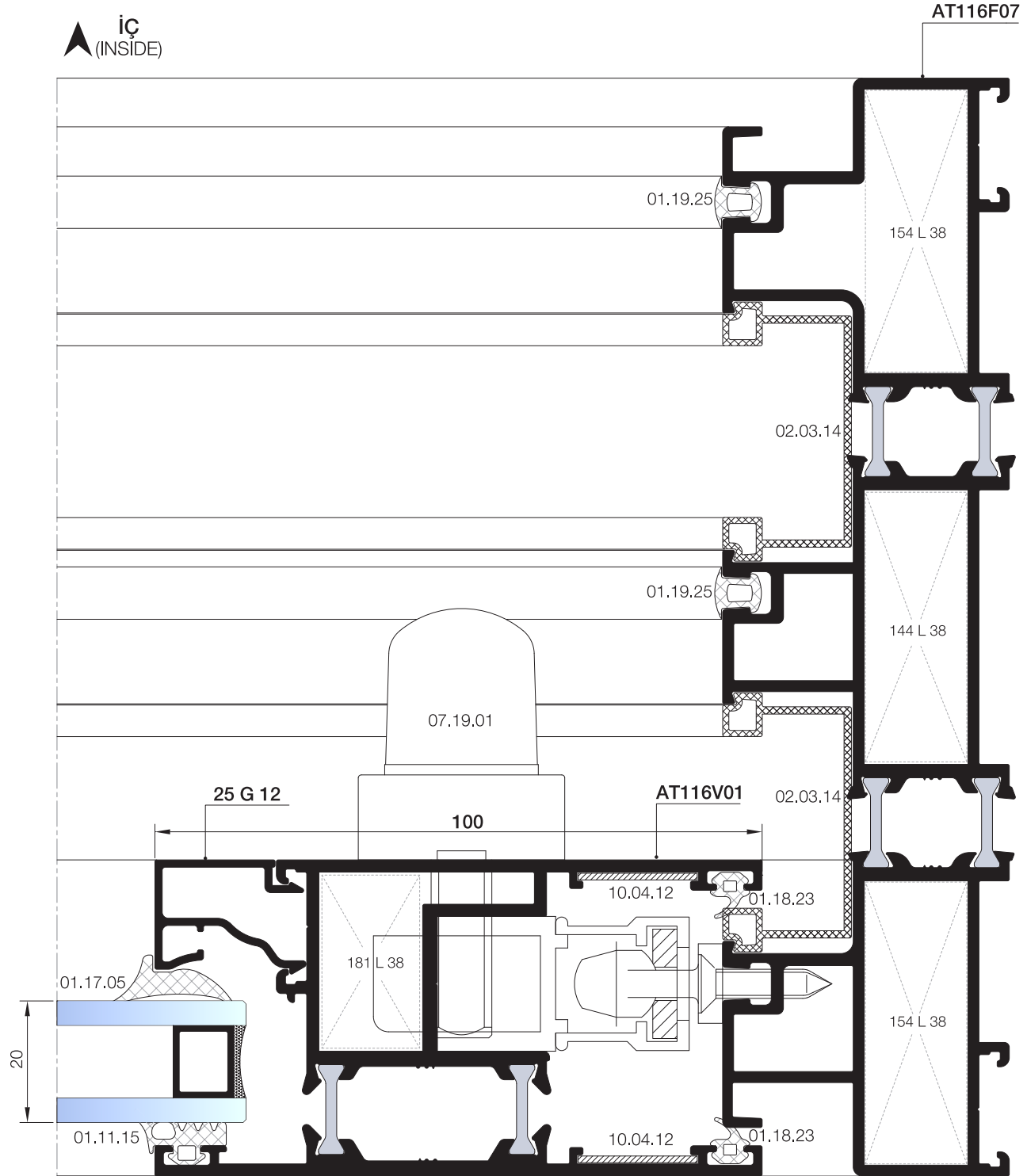
20

⑦ DETAYI
DETAIL

KALDIR SÜR DETAYI
LIFT & SLIDE DETAIL

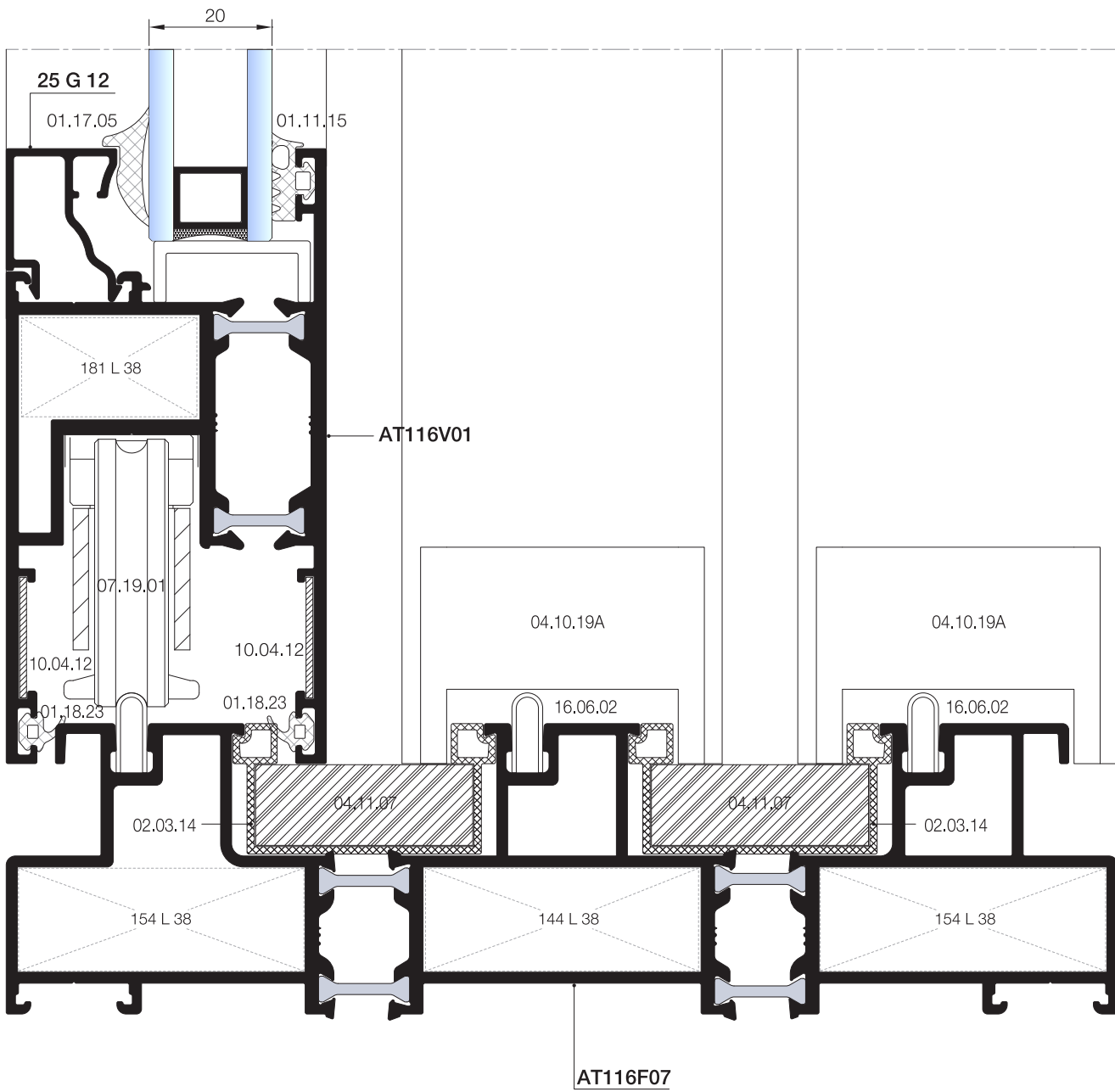
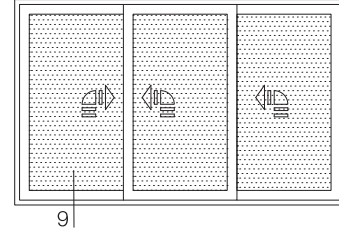


▲ iç
(INSIDE)

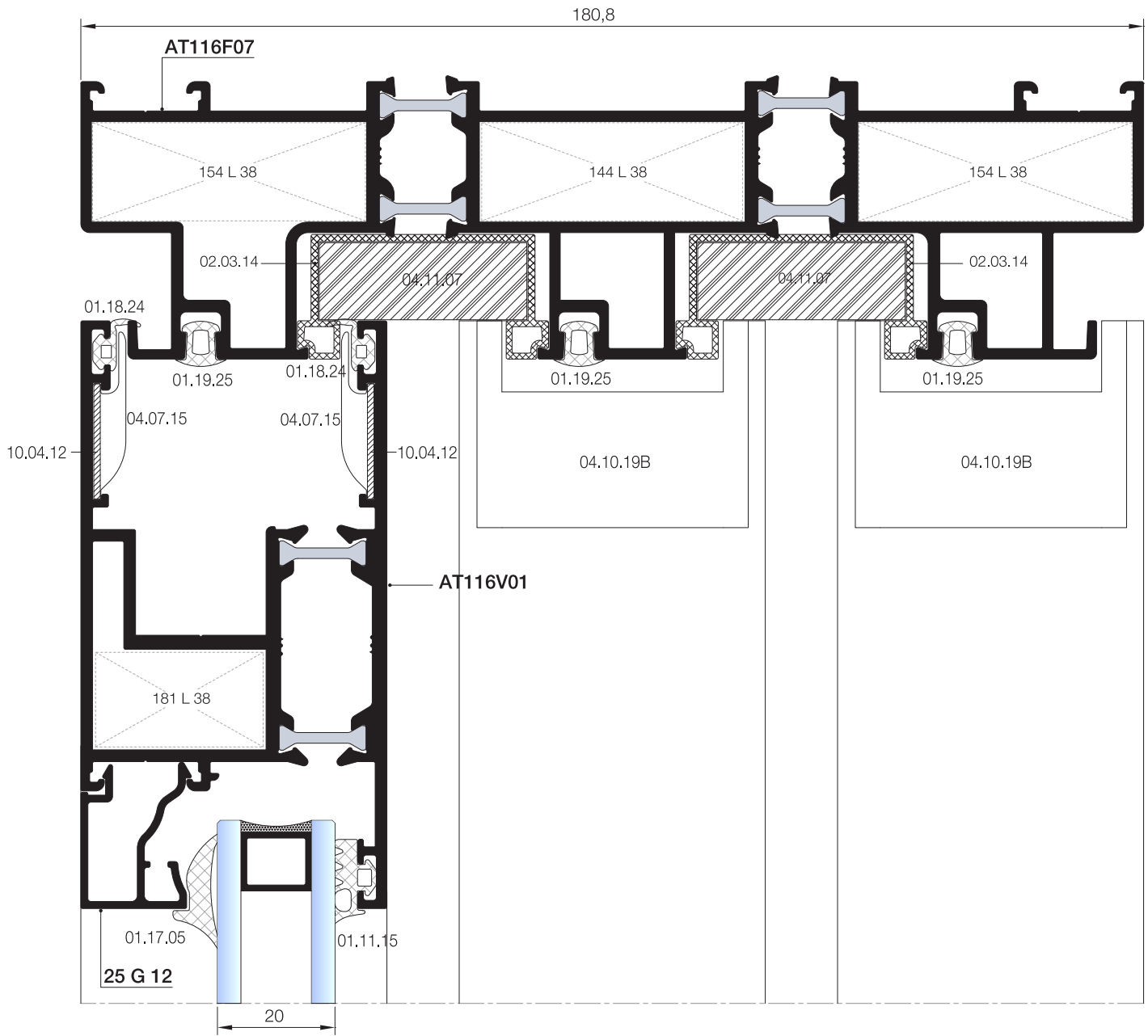
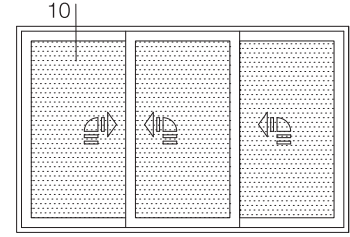


⑧ DETAYI
DETAIL

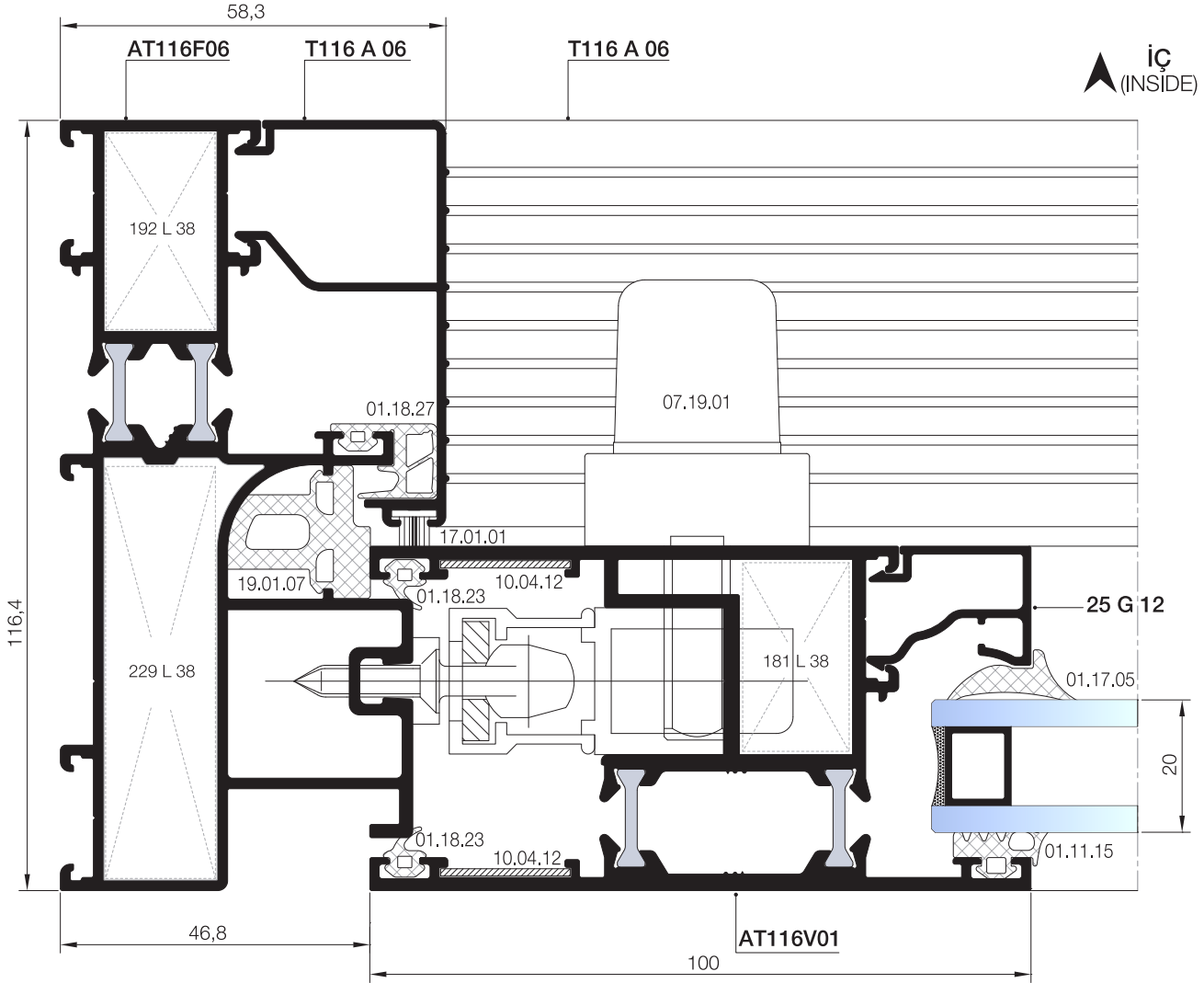
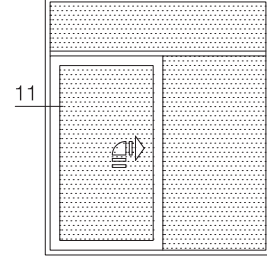
KALDIRI SÜR DETAYI
LIFT & SLIDE DETAIL



KALDIR SÜR DETAYI
LIFT & SLIDE DETAIL



KALDIRI SÜR DETAYI (MONORAY)
LIFT & SLIDE DETAIL (MONORAIL)



11 DETAYI
DETAIL

11

12

13

14

15

16

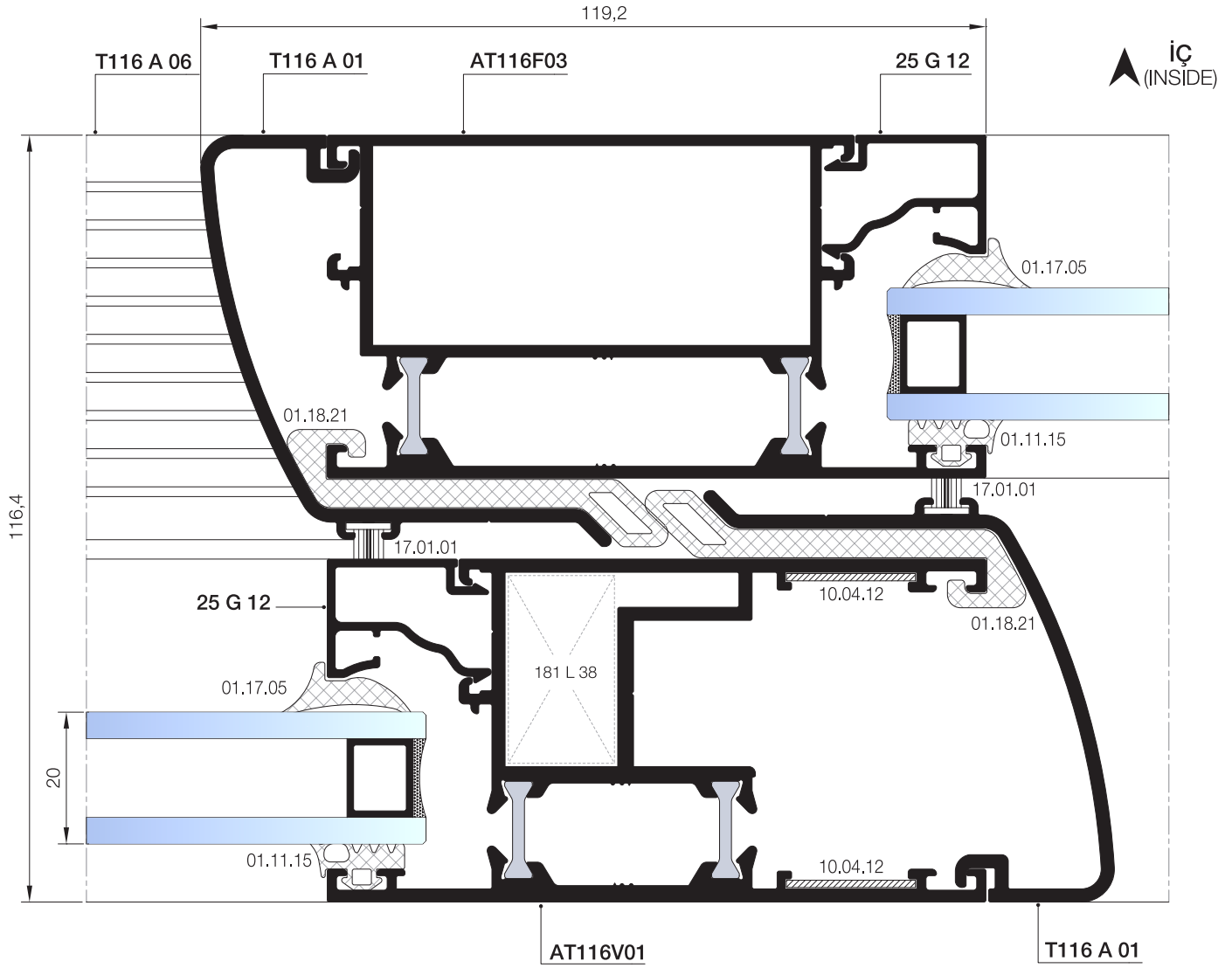
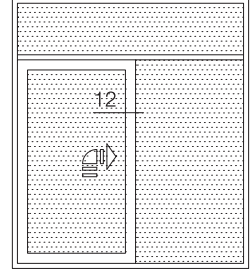
17

18

19

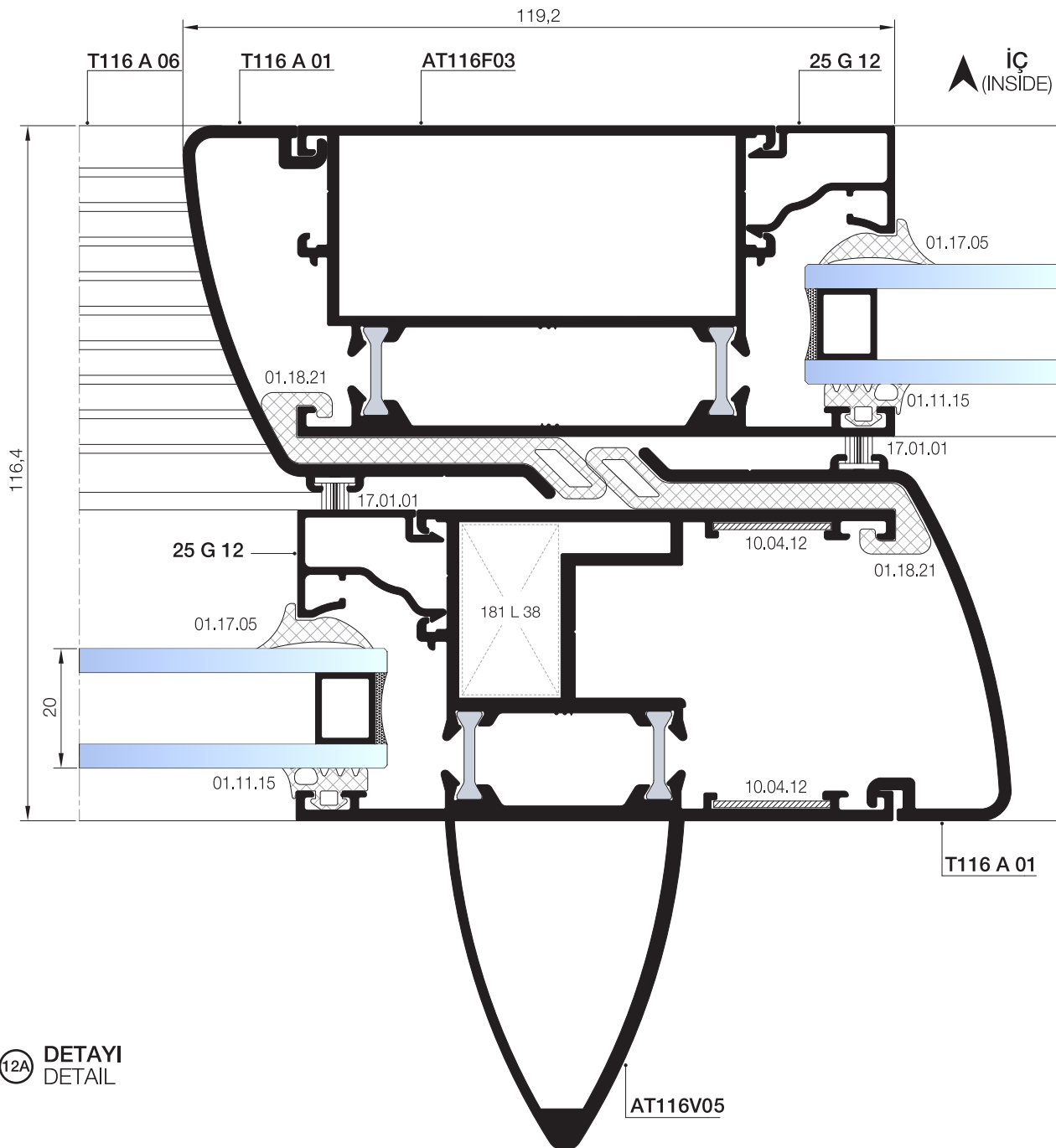
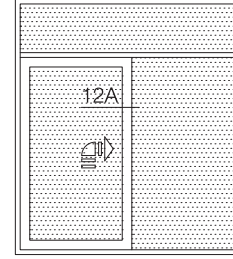
20

KALDIR SÜR DETAYI (MONORAY)
LIFT & SLIDE DETAIL (MONORAIL)



12 DETAYI
DETAIL

KALDIR SÜR DETAYI (MONORAY)
LIFT & SLIDE DETAIL (MONORAIL)



12A DETAYI
DETAIL

11

12

13

14

15

16

17

18

19

20

11

12

13

14

15

16

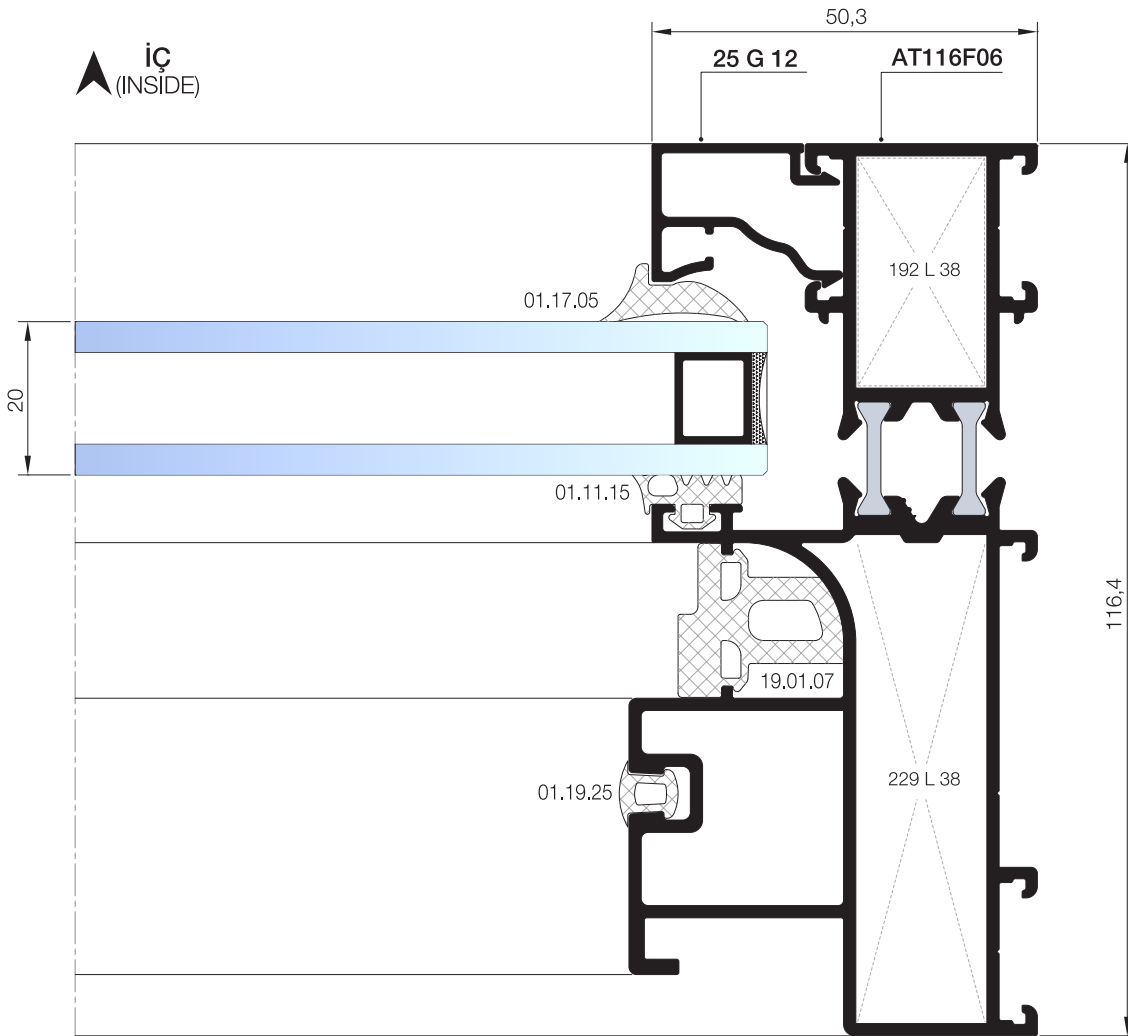
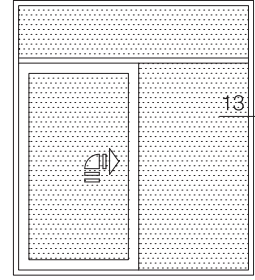
17

18

19

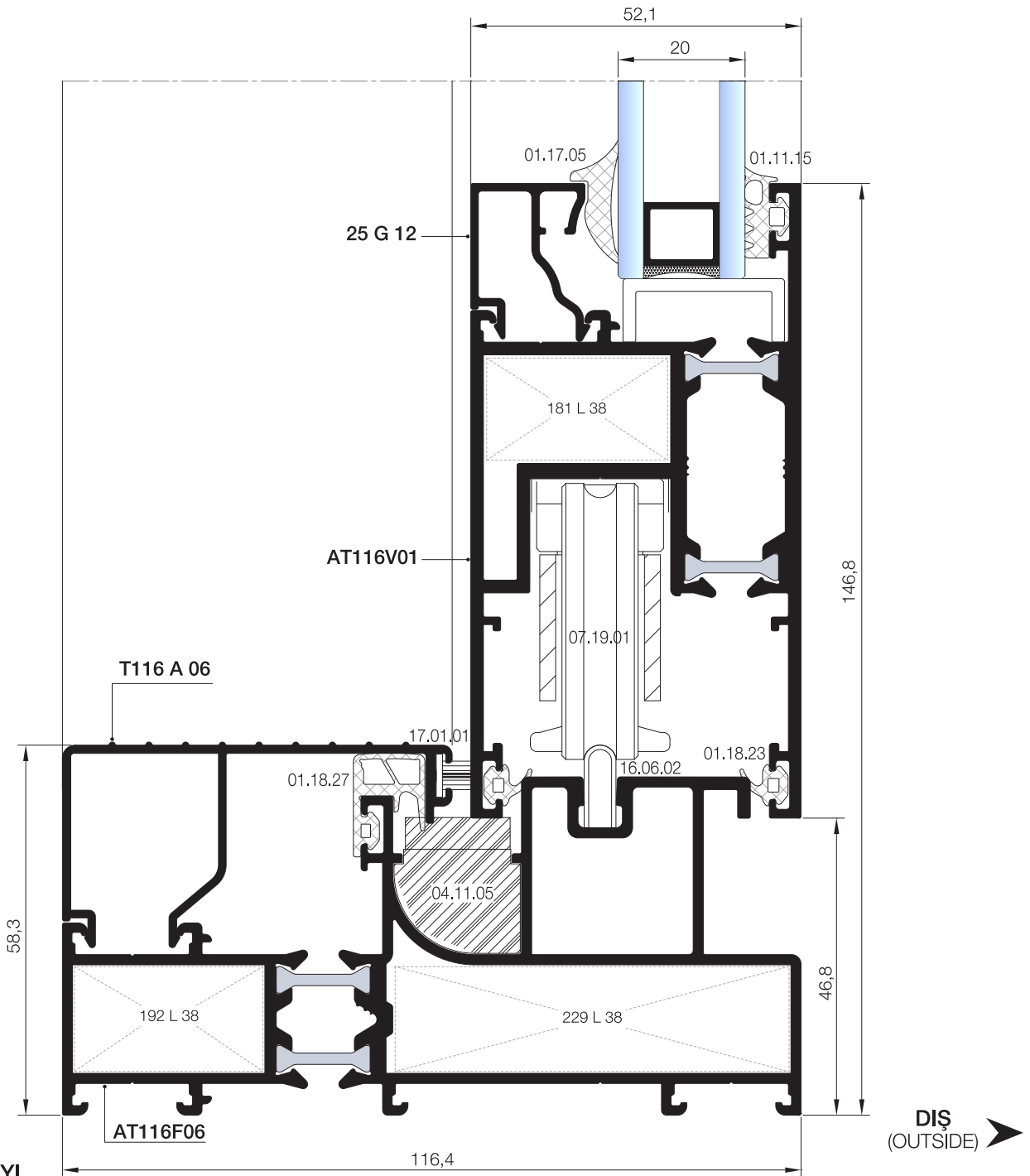
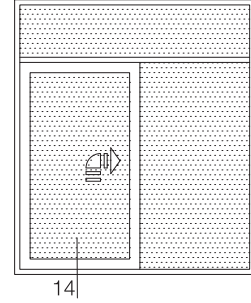
20

KALDIR SÜR DETAYI (MONORAY)
LIFT & SLIDE DETAIL (MONORAIL)



13 DETAYI
DETAIL

KALDIRI SÜR DETAYI (MONORAY)
LIFT & SLIDE DETAIL (MONORAIL)



14 DETAYI
DETAIL

11

12

13

14

15

16

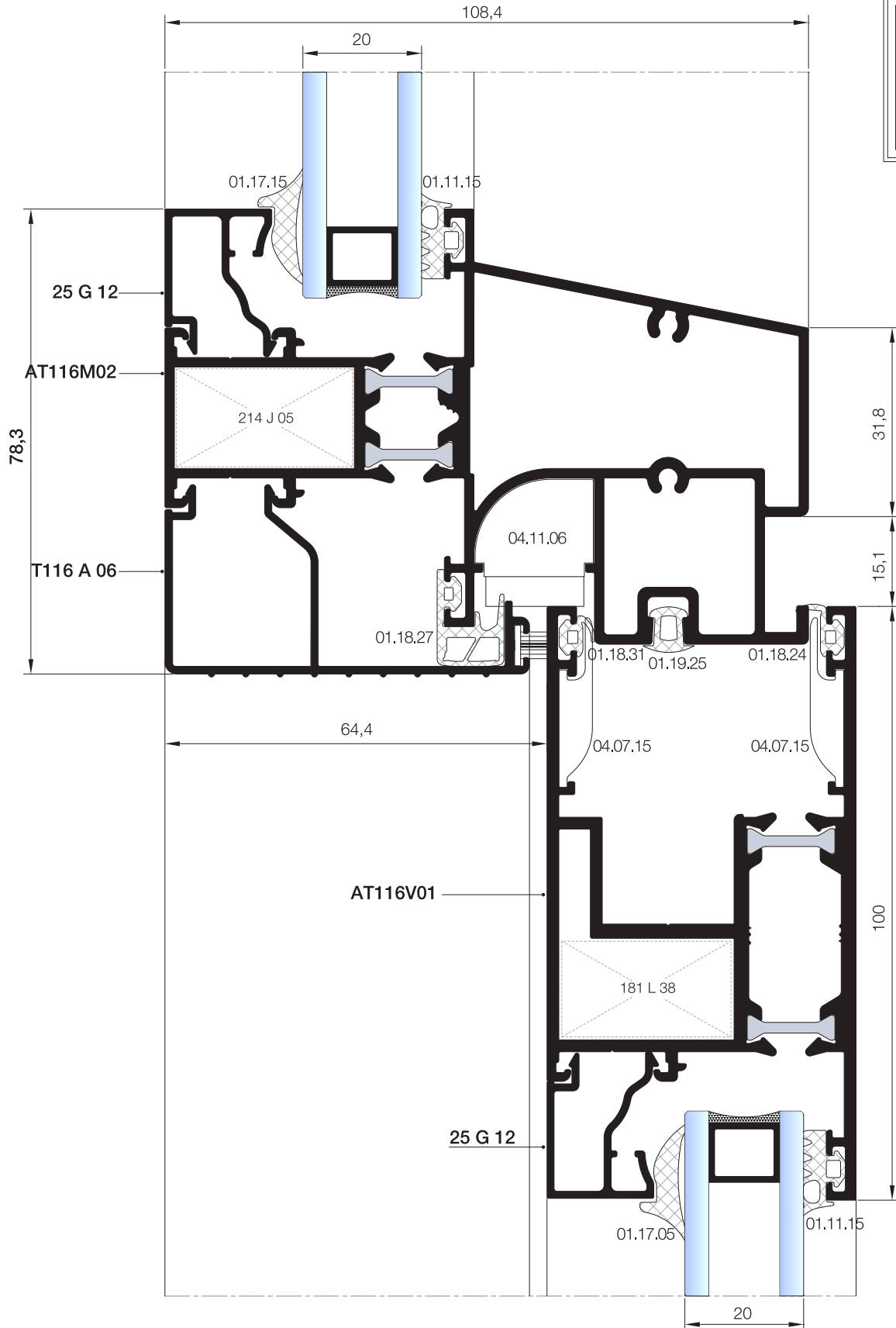
17

18

19

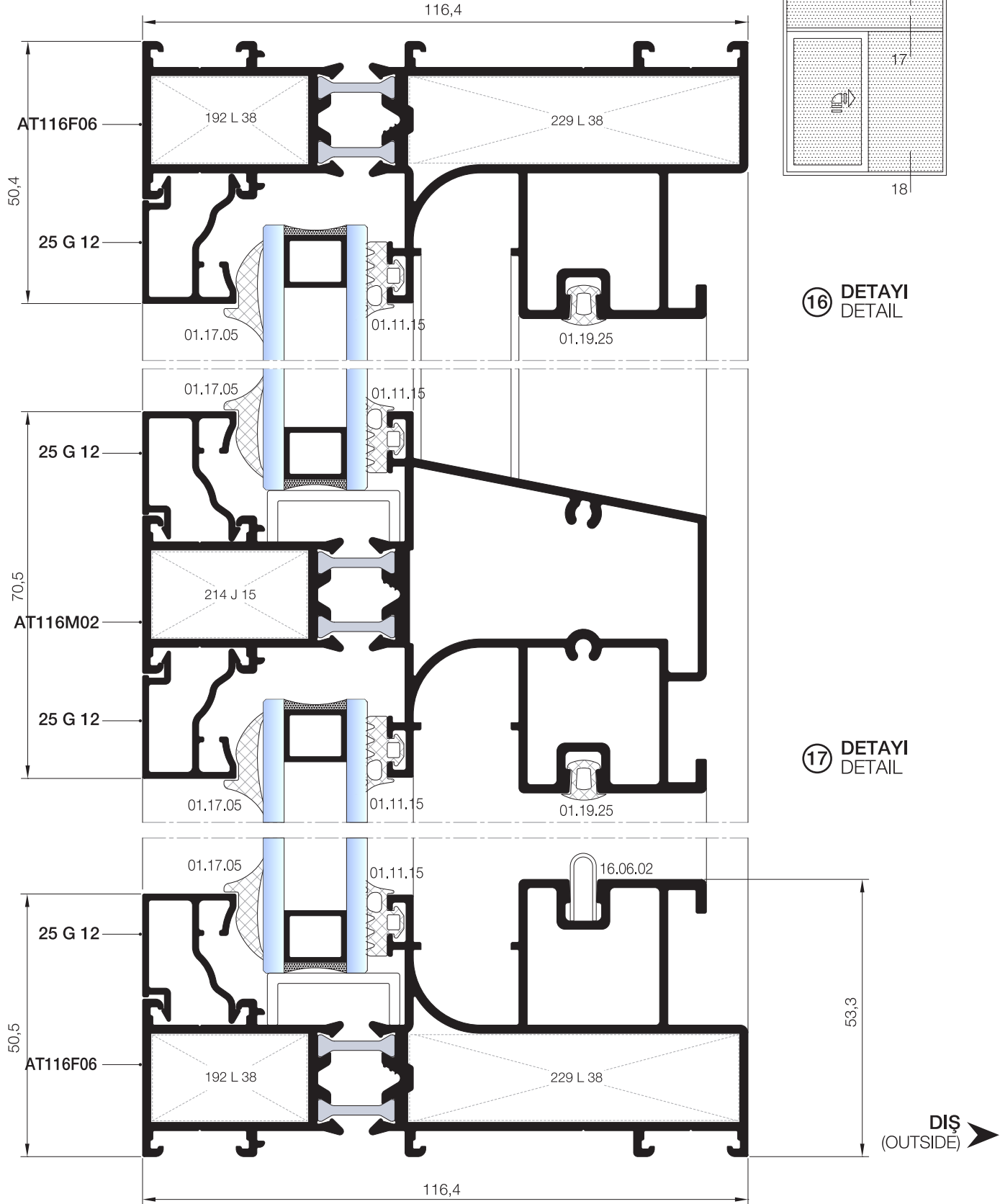
20

KALDIR SÜR DETAYI (MONORAY)
LIFT & SLIDE DETAIL (MONORAIL)



15 DETAYI
DETAIL

KALDIRI SÜR DETAYI (MONORAY)
LIFT & SLIDE DETAIL (MONORAIL)



11
12
13
14
15
16
17
18
19
20

16 DETAYI
DETAIL

17 DETAYI
DETAIL

18 DETAYI
DETAIL

KALDIR SÜR DETAYI (MONORAY)
LIFT & SLIDE DETAIL (MONORAIL)

11

12

13

14

15

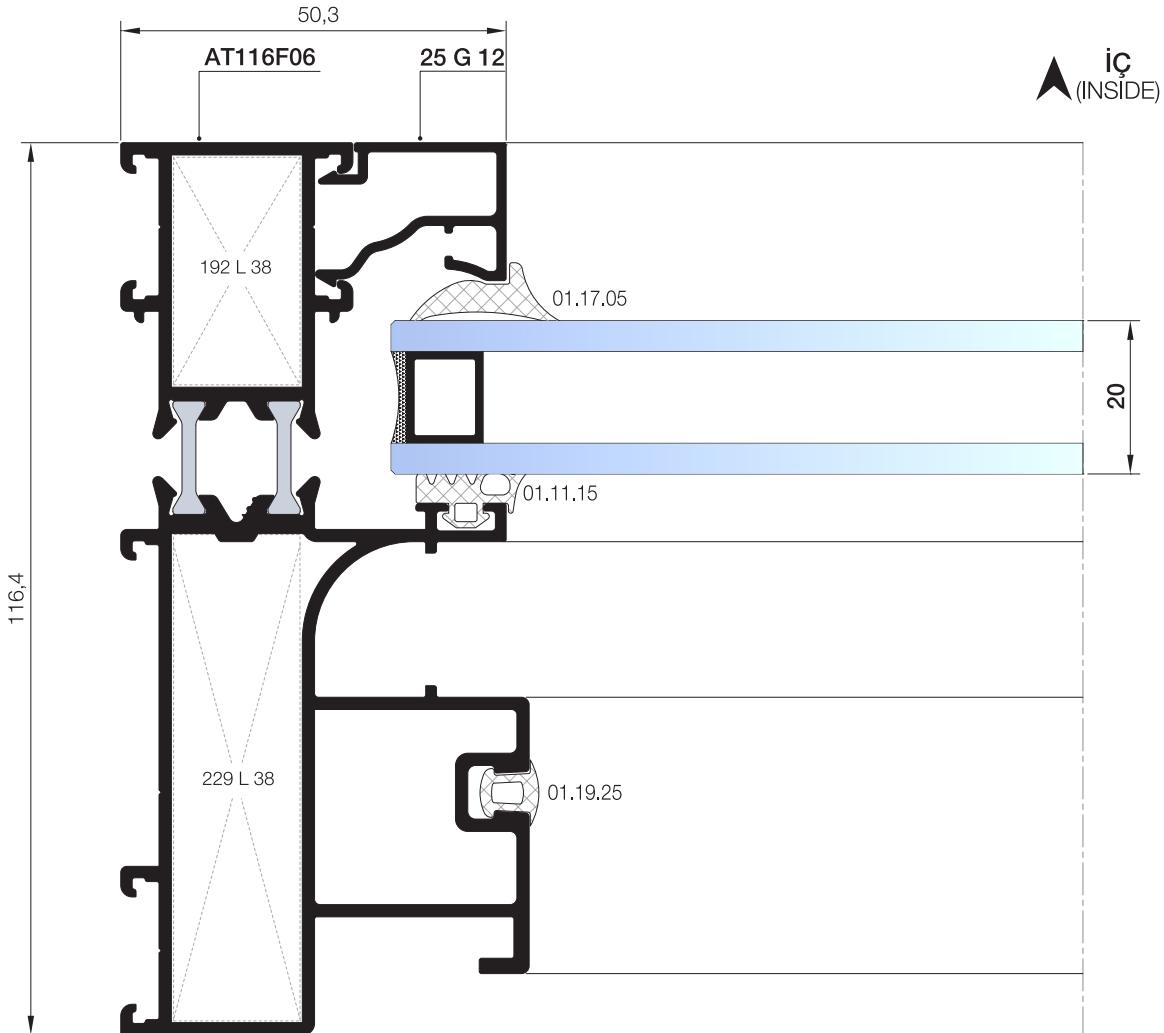
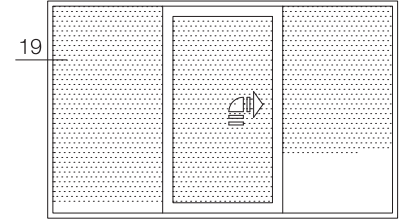
16

17

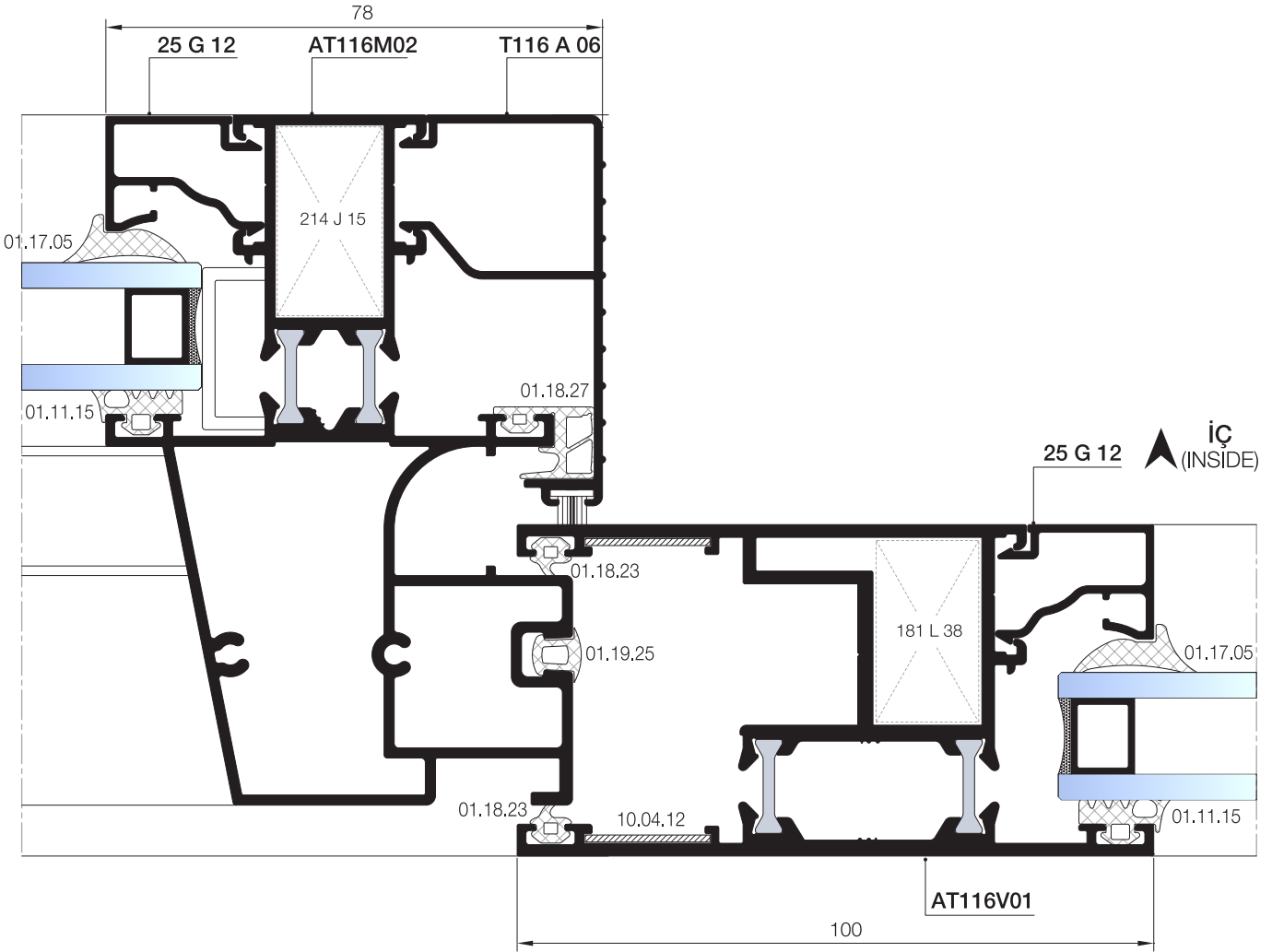
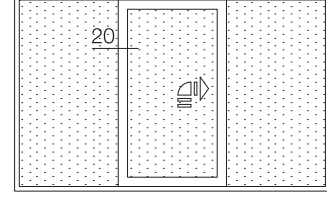
18

19

20



KALDIRI SÜR DETAYI (MONORAY)
LIFT & SLIDE DETAIL (MONORAIL)



11

12

13

14

15

16

17

18

19

20

KALDIR SÜR DETAYI (MONORAY)
LIFT & SLIDE DETAIL (MONORAIL)

11

12

13

14

15

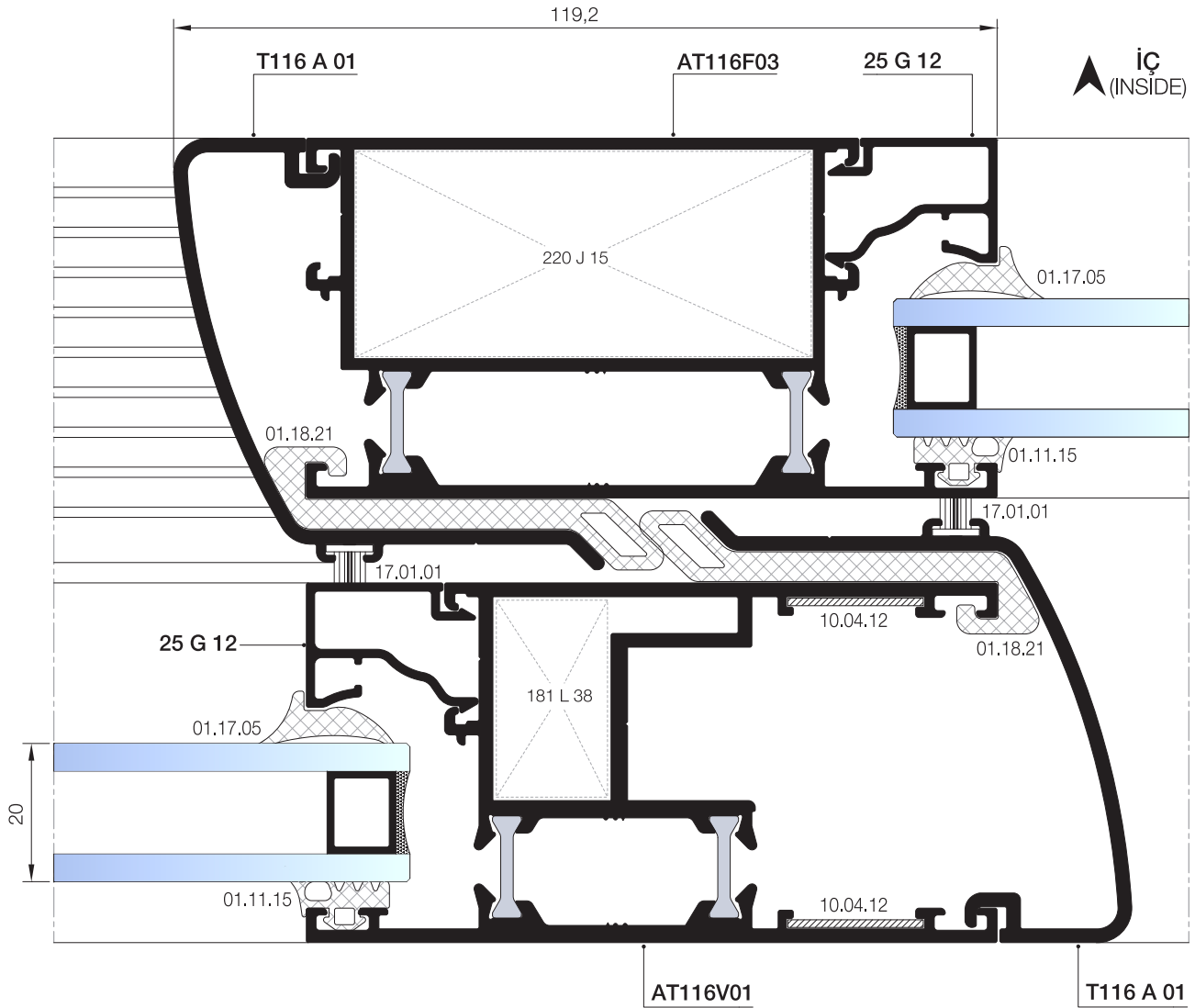
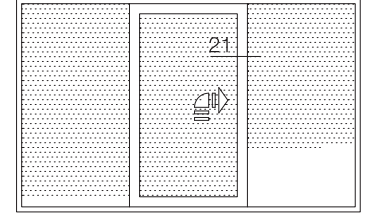
16

17

18

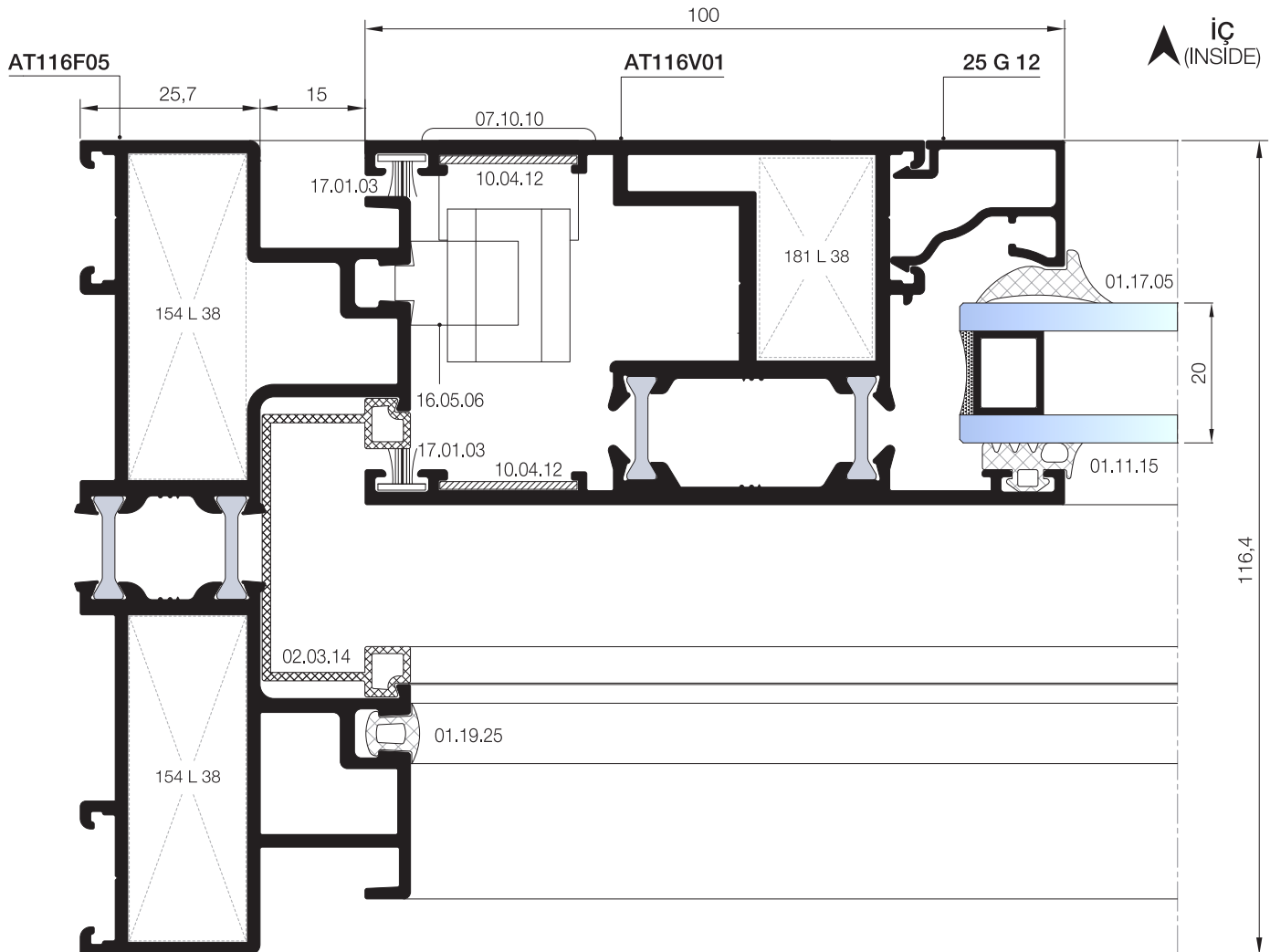
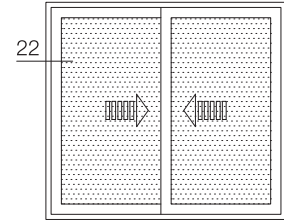
19

20

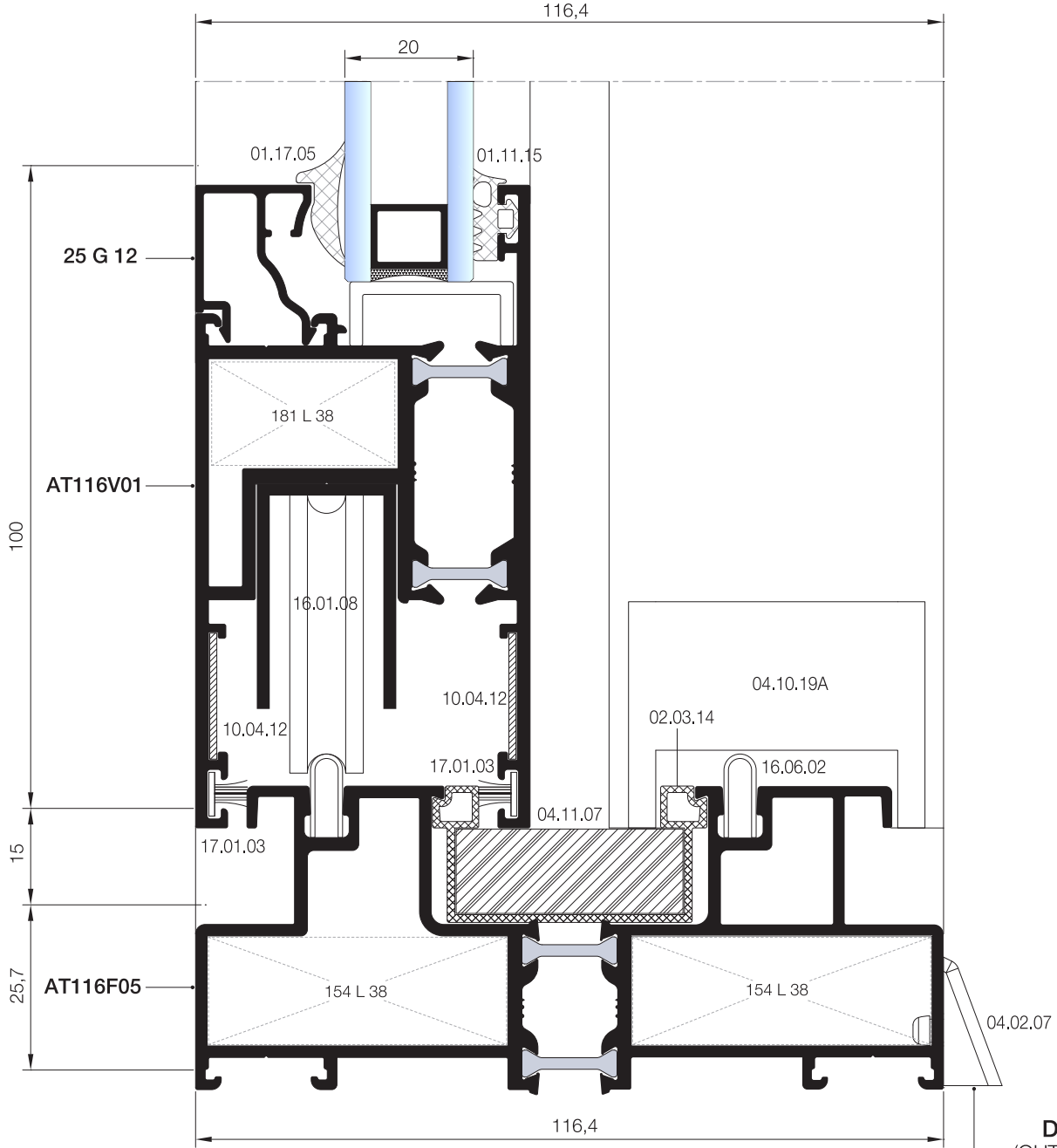
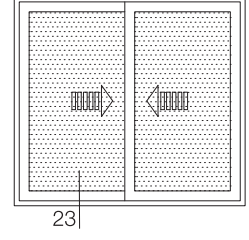


21 DETAYI
DETAIL

NORMAL SÜRME DETAYI
SLIDING DOOR DETAIL



NORMAL SÜRME DETAYI
SLIDING DOOR DETAIL

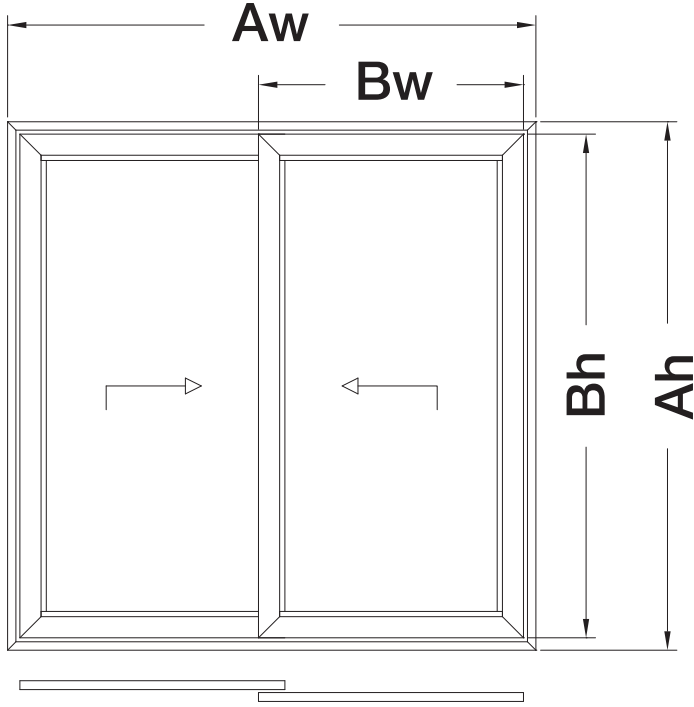


23 DETAYI
DETAIL

TAHLİYE DELİĞİNİN ÖLÇÜLERİ
DRAINAGE HOLE DIMENSIONS

KESİM ÖLÇÜLERİ (ÇİFT RAYLI)
CUTTING SIZE (DOUBLE RAIL)

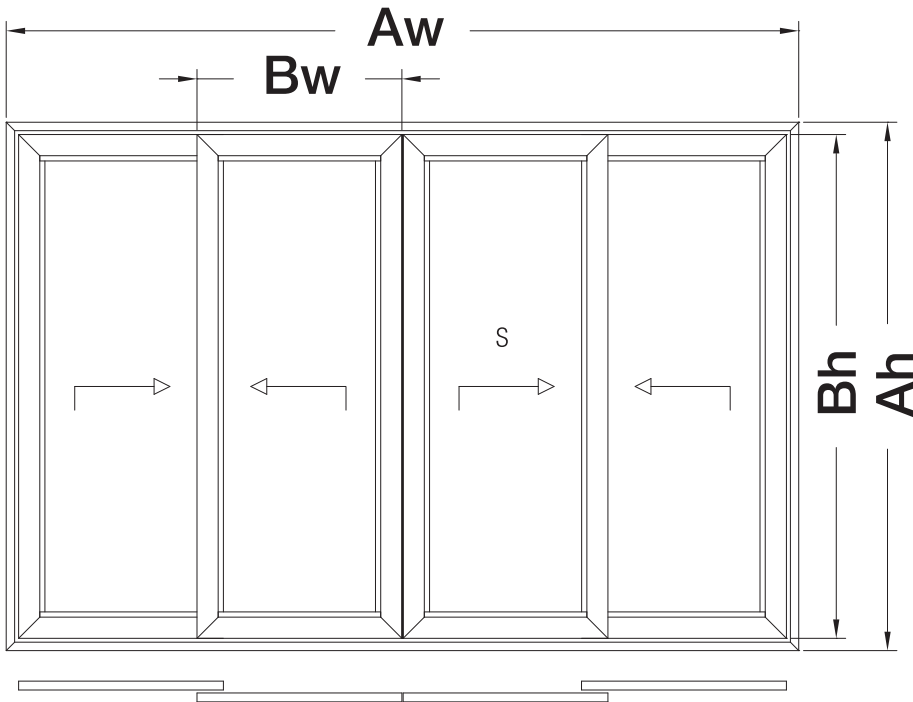
RST116



PROFİLLER

KOD	PROFİL ÇİZİMİ	ADET	KESİM ÖLÇÜSÜ (mm)
AT116F05	A	2	A_w
		2	A_n
AT116V01	B	4	$B_w = \frac{A_w}{2} + 9,3$
		4	$B_h = A_h - 81,4$
25 G 10	G	4	$G_w = B_w - 160$
		4	$G_h = B_h - 200$
T116 A 01	T	2	$T = B_h$

CAM	$G_l w = B_w - 170$	$G_l w \times G_l h$ (m2)	2
	$G_l h = B_h - 170$		



PROFİLLER

KOD	PROFİL ÇİZİMİ	ADET	KESİM ÖLÇÜSÜ (mm)
AT116F05	A	2	A_w
		2	A_n
AT116V01	B	8	$B_w = \frac{A_w}{4} + 28,4$
		8	$B_h = A_h - 81,4$
25 G 10	G	8	$G_w = B_w - 160$
		8	$G_h = B_h - 200$
T116 A 01	T	4	$T = B_h$
T116 A 04	M	1	$M = A_h - 129,7$

CAM	$G_l w = B_w - 170$	$G_l w \times G_l h$ (m2)	4
	$G_l h = B_h - 170$		

11

12

13

14

15

16

17

18

19

20

KESİM ÖLÇÜLERİ (TEK RAYLI)
CUTTING SIZE (SINGLE RAIL)

RST116

11

12

13

14

15

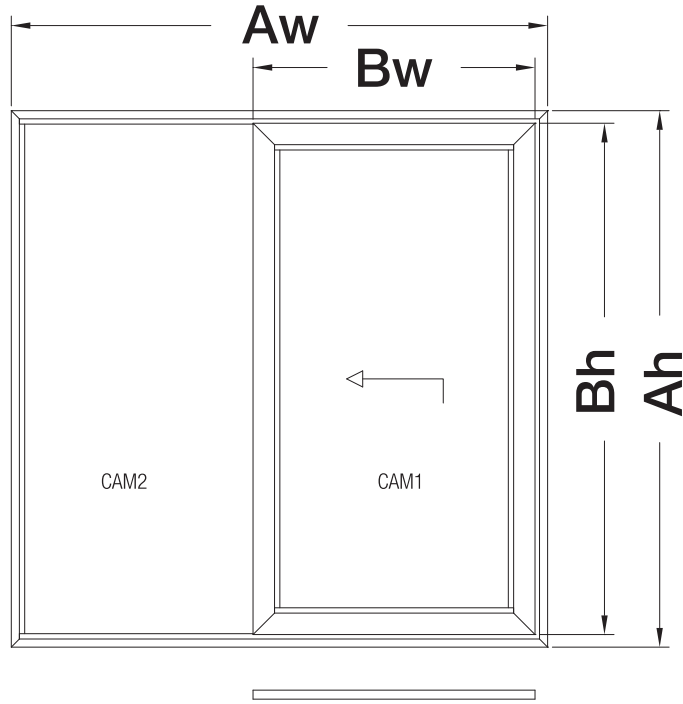
16

17

18

19

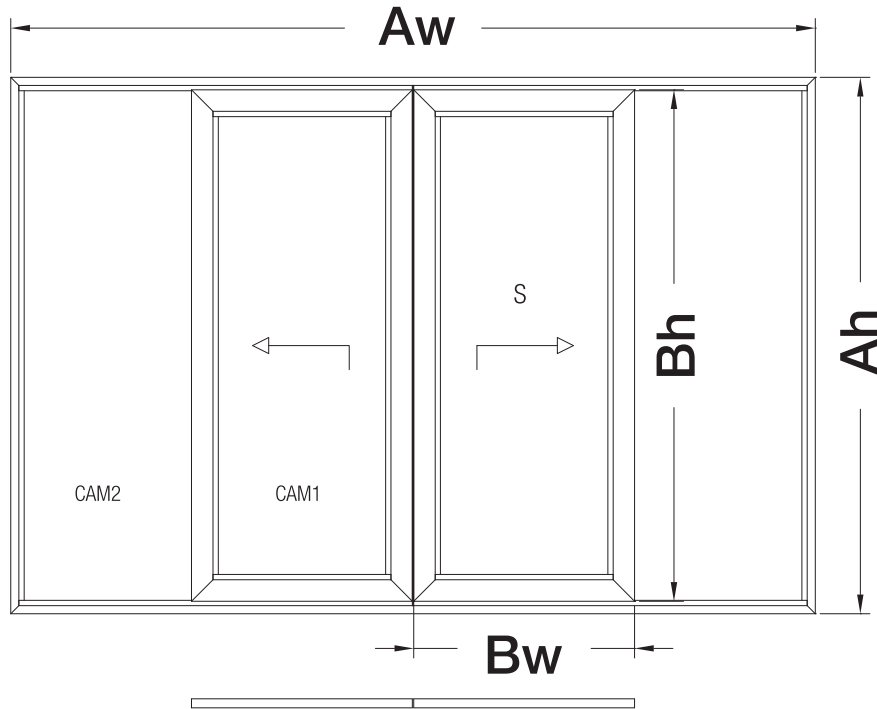
20



PROFİLLER

KOD	PROFİL ÇİZİMİ	ADET	KESİM ÖLÇÜSÜ (mm)
AT116F06	A	2	A_w
		2	A_h
AT116V01	B	2	$B_w = \frac{A_w}{2} + 51,5$
		2	$B_h = A_h - 93,6$
25 G 10	G	4	$G_w = B_w - 160$
		2	$G_h1 = B_h - 200$
		2	$G_h2 = A_h - 100,6$
T116 A 01	T	1	$T1 = B_h$
		1	$T2 = B_h - 23,8$
T116 A 06	K	2	$K1 = B_w - 83,5$
		1	$K2 = A_h - 117,6$
AT116F03	C	1	$Ch = A_h - 60,6$

CAM1	$G_lw = B_w - 170$	$G_lw \times G_lh$ (m ²)	1
	$G_lh1 = B_h - 170$		
CAM2	$G_lw = B_w - 170$	$G_lw \times G_lh2$ (m ²)	1
	$G_lh2 = A_h - 70,6$		



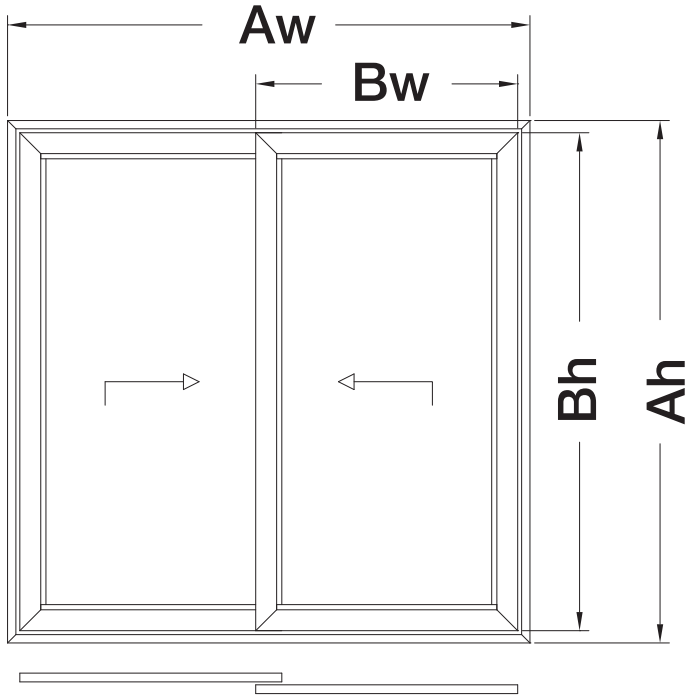
PROFİLLER

KOD	PROFİL ÇİZİMİ	ADET	KESİM ÖLÇÜSÜ (mm)
AT116F06	A	2	A_w
		2	A_h
AT116V01	B	4	$B_w = \frac{A_w}{4} + 73,6$
		4	$B_h = A_h - 93,6$
25 G 10	G	8	$G_w = B_w - 160$
		4	$G_h1 = B_h - 200$
		4	$G_h2 = A_h - 100,6$
T116 A 01	T	2	$T1 = B_h$
		2	$T2 = B_h - 23,8$
T116 A 06	K	2	$K = 2B_w - 195$
AT116F03	C	2	$Ch = A_h - 60,6$
AT116A04	M	1	$M = A_h - 132,6$

CAM1	$G_lw = B_w - 170$	$G_lw \times G_lh$ (m ²)	2
	$G_lh1 = B_h - 170$		
CAM2	$G_lw = B_w - 170$	$G_lw \times G_lh2$ (m ²)	2
	$G_lh2 = A_h - 70,6$		

KESİM ÖLÇÜLERİ (ÇİFT RAYLI)
CUTTING SIZE (DOUBLE RAIL)

RST116



PROFİLLER

KOD	PROFİL ÇİZİMİ	ADET	KESİM ÖLÇÜSÜ (mm)
AT116F05	A	2	A_w
		2	A_n
AT116V01	B	4	$B_w = \frac{A_w}{2} + 6$
		4	$B_h = A_h - 81,4$
25 G 10	G	4	$G_w = B_w - 160$
		4	$G_h = B_h - 200$
T116 A 09	T	2	$T = B_h$

CAM	$G_l w = B_w - 170$	$G_l w \times G_l h$ (m2)	2
	$G_l h = B_h - 170$		

11

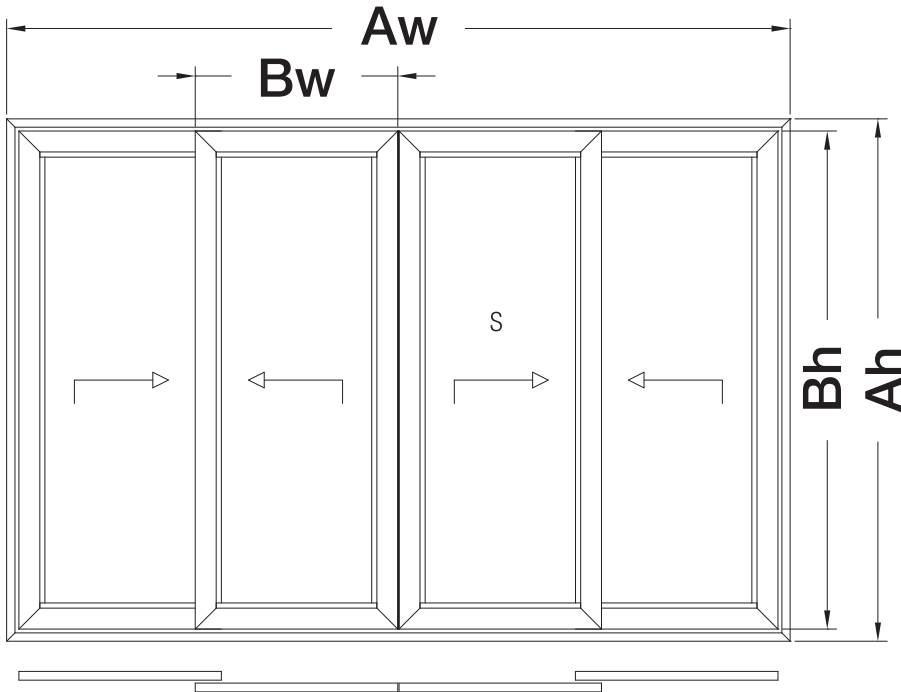
12

13

14

15

16



PROFİLLER

KOD	PROFİL ÇİZİMİ	ADET	KESİM ÖLÇÜSÜ (mm)
AT116F05	A	2	A_w
		2	A_n
AT116V01	B	8	$B_w = \frac{A_w}{4} + 25,5$
		8	$B_h = A_h - 81,4$
25 G 10	G	8	$G_w = B_w - 160$
		8	$G_h = B_h - 200$
T116 A 09	T	4	$T = B_h$
AT116A04	M	1	$M = A_h - 132,6$

CAM	$G_l w = B_w - 170$	$G_l w \times G_l h$ (m2)	4
	$G_l h = B_h - 170$		

17

18

19

20

KESİM ÖLÇÜLERİ (TEK RAYLI)
CUTTING SIZE (SINGLE RAIL)

RST116

11

12

13

14

15

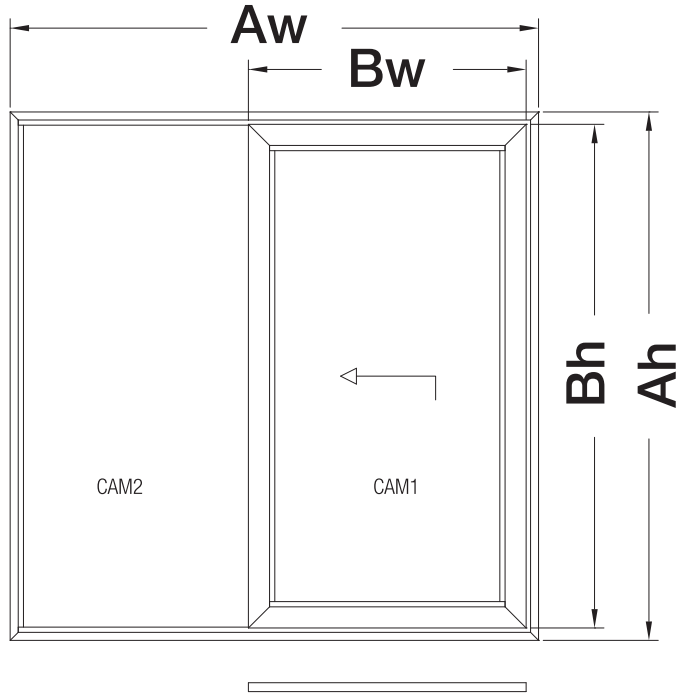
16

17

18

19

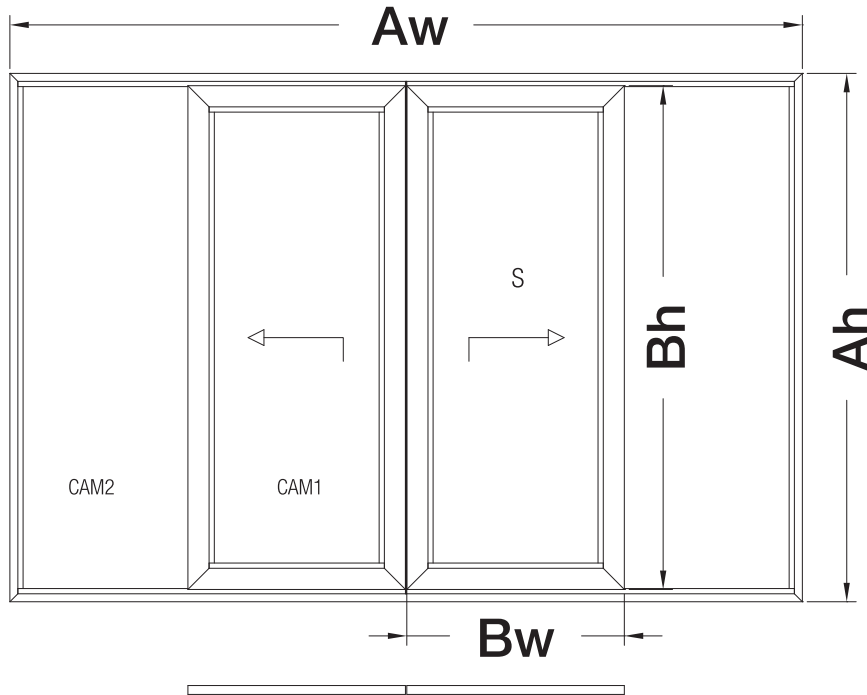
20



PROFİLLER

KOD	PROFİL ÇİZİMİ	ADET	KESİM ÖLÇÜSÜ (mm)
AT116F06	A	2	A_w
		2	A_h
AT116V01	B	2	$B_w = \frac{A_w}{2} + 48,1$
		2	$B_h = A_h - 93,6$
25 G 10	G	4	$G_w = B_w - 160$
		2	$G_h1 = B_h - 200$
		2	$G_h2 = B_h - 100,6$
T116 A 09	T	1	$T_1 = B_h$
		1	$T_2 = B_h - 23,8$
T116 A 06	K	2	$K_1 = B_w - 41,7$
		1	$K_2 = A_h - 117,6$
AT116F03	C	1	$Ch = A_h - 60,6$

CAM1	$G_lw = B_w - 170$	$G_lw \times G_lh$ (m ²)	1
	$G_lh1 = B_h - 170$		
CAM2	$G_lw = B_w - 170$	$G_lw \times G_lh2$ (m ²)	1
	$G_lh2 = A_h - 70,6$		



PROFİLLER

KOD	PROFİL ÇİZİMİ	ADET	KESİM ÖLÇÜSÜ (mm)
AT116F06	A	2	A_w
		2	A_h
AT116V01	B	4	$B_w = \frac{A_w}{4} + 70,3$
		4	$B_h = A_h - 93,6$
25 G 10	G	8	$G_w = B_w - 160$
		4	$G_h1 = B_h - 200$
		4	$G_h2 = A_h - 100,6$
T116 A 09	T	2	$T_1 = B_h$
		2	$T_2 = B_h - 23,8$
T116 A 06	K	2	$K = B_w - 195$
AT116F03	C	2	$Ch = A_h - 60,6$
AT116A04	M	1	$M = A_h - 123,6$

CAM1	$G_lw = B_w - 170$	$G_lw \times G_lh$ (m ²)	2
	$G_lh1 = B_h - 170$		
CAM2	$G_lw = B_w - 170$	$G_lw \times G_lh2$ (m ²)	2
	$G_lh2 = A_h - 70,6$		

MİMARİ KATALOG ARCHITECTURAL CATALOGUE

Alüminyum Kapı Pencere ve Giydirme Cephe Sistemleri
Aluminium Window Doors and Facade Systems



Rescara Sistem Detayları
Rescara System Details

RST116

AKSESUARLAR

ACCESSORIES

11

12

13

14

15


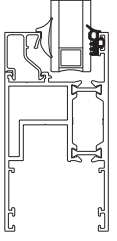

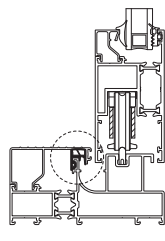

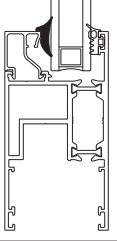

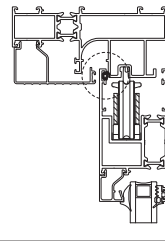

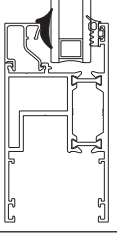

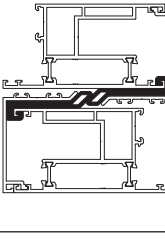

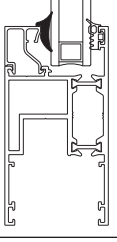

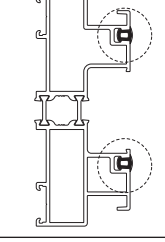

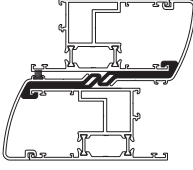

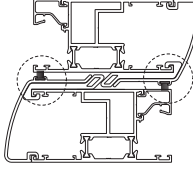

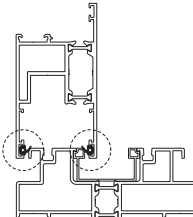
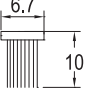
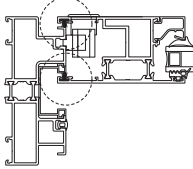

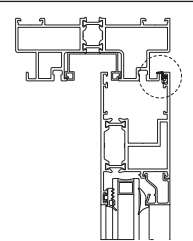

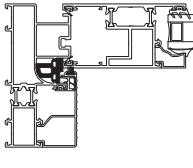
16


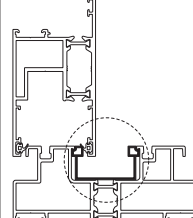

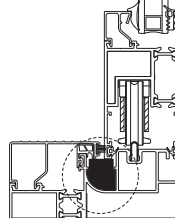
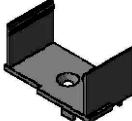
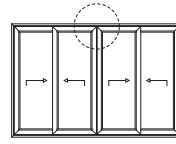
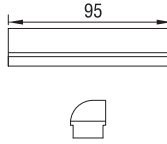
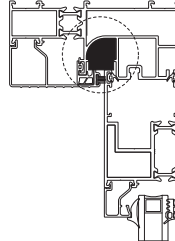
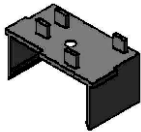
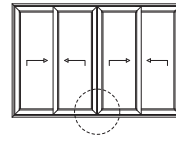
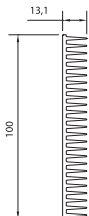
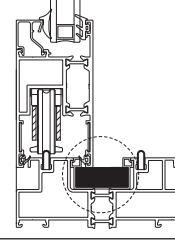
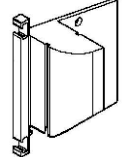
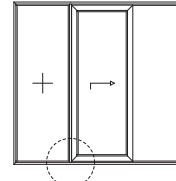

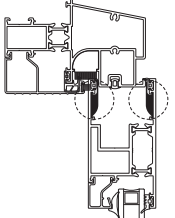
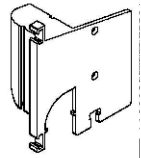
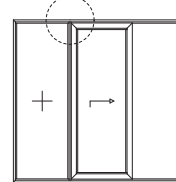
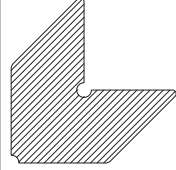
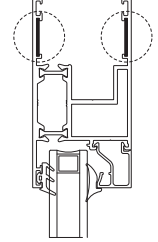

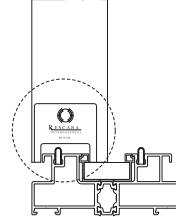

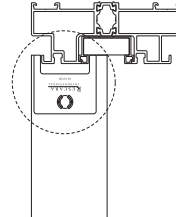
17

18

19

20

11		<p>01.11.15</p> <p>DIŞ CAM FİTİLİ 4 mm OUTSIDE GLAZING GASKET 4mm</p> <p>Malzeme / Material : PVC Ağırlık / Weight : 78 gr/m Paket / Package : 190m/15kg</p>				<p>01.18.27</p> <p>SIZDIRMAZLIK FİTİLİ SEALING GASKET</p> <p>Malzeme / Material : EPDM Ağırlık / Weight : 110 gr/m Paket / Package : 136m/15kg</p>	
12							
13		<p>01.17.03</p> <p>İÇ CAM FİTİLİ 3 mm boşluk için INSIDE GLAZING GASKET for 3 mm space</p> <p>Malzeme / Material : EPDM Ağırlık / Weight : 60 gr/m Paket / Package : 250m/15kg</p>				<p>01.18.31</p> <p>BİNİ FİTİLİ ACOUSTICAL GASKET</p> <p>Malzeme / Material : EPDM Ağırlık / Weight : 25 gr/m Paket / Package : 577m/15kg</p>	
14		<p>01.17.04</p> <p>İÇ CAM FİTİLİ 4 mm boşluk için INSIDE GLAZING GASKET for 4 mm space</p> <p>Malzeme / Material : EPDM Ağırlık / Weight : 69 gr/m Paket / Package : 215m/15kg</p>				<p>01.18.40</p> <p>KENET FİTİLİ CONNECTION GASKET</p> <p>Malzeme / Material : EPDM Ağırlık / Weight : 375 gr/m Paket / Package : 40m/15kg</p>	
15							
16		<p>01.17.05</p> <p>İÇ CAM FİTİLİ 5 mm boşluk için INSIDE GLAZING GASKET for 5 mm space</p> <p>Malzeme / Material : EPDM Ağırlık / Weight : 90 gr/m Paket / Package : 165m/15kg</p>				<p>01.19.25</p> <p>RAY FİTİLİ RAIL GASKET</p> <p>Malzeme / Material : EPDM Ağırlık / Weight : 40 gr/m Paket / Package : 375m/15kg</p>	
17							
18		<p>01.18.21</p> <p>KENET FİTİLİ CONNECTION GASKET</p> <p>Malzeme / Material : EPDM Ağırlık / Weight : 400 gr/m Paket / Package : 37m/15kg</p>				<p>17.01.01</p> <p>KİL FİTİLİ BRUSH</p> <p>Paket / Package : 275 mt</p>	
19		<p>01.18.23</p> <p>BİNİ FİTİLİ ACOUSTICAL GASKET</p> <p>Malzeme / Material : EPDM Ağırlık / Weight : 30 gr/m Paket / Package : 500m/15kg</p>				<p>17.01.03</p> <p>KİL FİTİLİ BRUSH</p> <p>Paket / Package : 125 mt</p>	
20		<p>01.18.24</p> <p>BİNİ FİTİLİ ACOUSTICAL GASKET</p> <p>Malzeme / Material : EPDM Ağırlık / Weight : 30 gr/m Paket / Package : 500m/15kg</p>				<p>19.01.07</p> <p>STOPER STOPER</p> <p>Malzeme / Material : EPDM AT116 F 04-AT116 F 06 için 10cm for AT116 F 04-AT116 F 06 10cm</p>	

	02.03.14 PVC PROFİL PVC PROFILE Malzeme / Material : PVC			04.11.05 SIZDIRMAZLIK PARÇASI ALT SEALING PART (BOTTOM) Malzeme / Material: EPDM	
	04.06.48 ADAPTÖR PARÇASI ÜST ADAPTER PART-UP Malzeme / Material : PVC (AT116 A 04 için / for AT116 A 04)			04.11.06 SIZDIRMAZLIK PARÇASI ÜST SEALING PART (UPPER) Malzeme / Material: EPDM	
	04.06.49 ADAPTÖR PARÇASI ALT ADAPTER PART-BOTTOM Malzeme / Material : PVC (AT116 A 04 için / for AT116 A 04)			04.11.07 SIZDIRMAZLIK PARÇASI SEALING PART Malzeme / Material: EPDM	
	04.06.50 PVC PARÇA ALT PVC CAP-BOTTOM Malzeme / Material : PVC (AT116 M 02 için / for AT116 M 02)			04.07.15 SEVİYELEME PARÇASI SPACER Malzeme / Material: PVC	
	04.06.51 PVC PARÇA ÜST PVC CAP-UPPER Malzeme / Material : PVC (AT116 M 02 için / for AT116 M 02)			10.04.12 KÖŞE ÇAVUŞU CORNER CLEAT Malzeme / Material: Paslanmaz Çelik / Stainless Steel	
	04.10.19A PVC KANAT KAPAĞI ALT PVC VENT CAP (DOWN) Malzeme / Material : PVC				
	04.10.19B PVC KANAT KAPAĞI ÜST PVC VENT CAP (UP) Malzeme / Material : PVC				

11

12

13

14

15

16

17

18

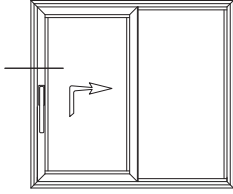
19

20

AKSESUARLAR / KALDIR & SÜR MEKANİZMASI
ACCESSORIES / LIFT & SLIDE MECHANISM

RST116

11



07.19.01

SIEGENIA KALDIR SÜR MEKANİZMASI
SIEGENIA LIFT & SLIDE MECHANISM

12

MAX. KANAT ÖLÇÜLERİ / MAX VENT DIMENSIONS = H:2675 mm L:3300 mm
MAX. KANAT AĞIRLIĞI / MAX VENT WEIGHT = 300 kg

13

14

15

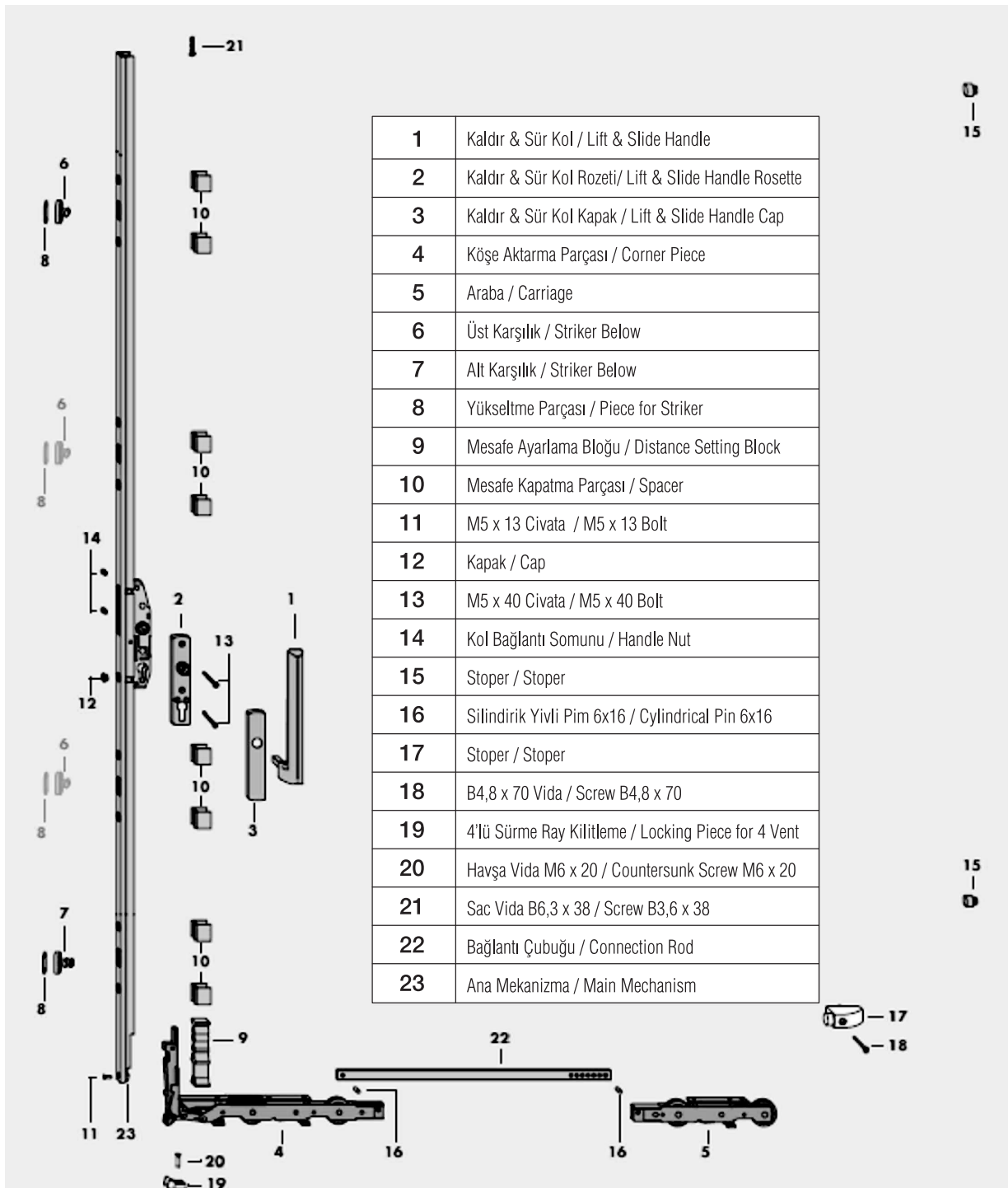
16

17

18

19

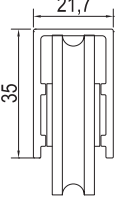
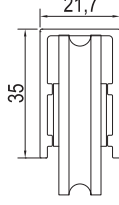
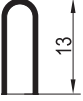
20



KOL & KİLİTLEME SETLERİ / HANDLES & LOCKING KITS

 <p>07.10.10 HAVUZLU KİLİT SLIDING LOCK</p> <p>Malzeme / Material : Alüminyum-Zamak Aluminium-Zamak</p> <p>EN 1670, 13126-1</p>	 <p>16.05.06 SÜRME KİLİT ADAPTÖRÜ SLIDING LOCK ADAPTER</p> <p>Malzeme / Material : Alüminyum-Zamak Aluminium-Zamak</p> <p>07.10.10 Sürme Kilit için / For Handle 07.10.10</p>
 <p>07.11.03 KOL ÜSTÜ KARŞILIK STRIKER FOR HANDLE</p> <p>Malzeme / Material : Alüminyum-Zamak Aluminium-Zamak</p> <p>07.10.10 Sürme Kilit için / For Handle 07.10.10</p>	

DİĞER / OTHERS

 <p>16.01.08 ÇİFTLİ RULMAN CARRERA 2 PULLEYS</p> <p>2 Adet 130 kg taşıyır. / 130 kg with 2 pulleys Max. kanat ölçüsü / Max. vent dimension 1000x2200</p>	 <p>16.01.09 TEKLİ RULMAN PULLEY WITH SINGLE WHEEL</p> <p>07.10.10 Sürme Kilit için / For Handle 07.10.10</p>
 <p>16.06.02 ÇELİK RAY STEEL RAIL</p> <p>Malzeme / Material : Paslanmaz Çelik Stainless Steel</p>	

11

12

13

14

15

16

17

18

19

20

11

12

13

14

15

16

17

18

19

20

07.10.10 KOL İLE KİLİTLEME SEÇİM TABLOSU

LOCKING KIT SELECTION TABLE WITH HANDLE 07.10.10

KOD CODE	TANIM DESCRIPTION	ADET NUMBER	KANAT VENT
07.10.10	HAVUZLU KİLİT SLIDING LOCK	1	AT116 V 01 AT116 V 02 AT116 V 03
16.05.06	SÜRME KİLİT KARŞILIĞI STRIKER FOR SLIDING LOCK	1	
07.11.03	KOL ÜSTÜ KARŞILIK STRIKER FOR HANDLE	1	

